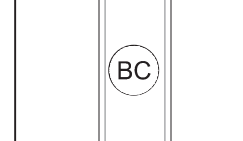
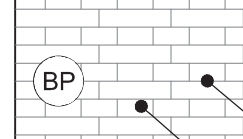
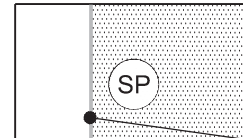
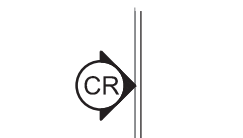
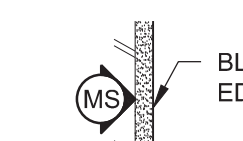
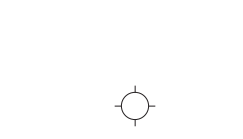
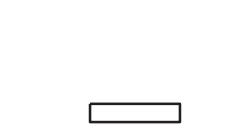
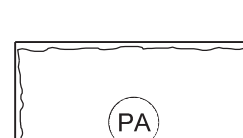
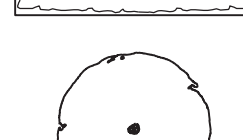
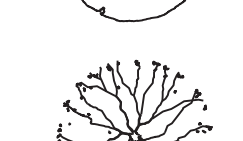

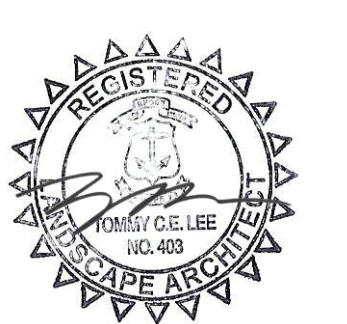


LEGEND

-  BITUMINOUS CONC PAVING: 1 1/2" BASE COURSE, 1 1/2" TOP COURSE SET ON 6" DENSE GRADED CRUSHED STONE W/ 4"X12"X6" GRANITE FLUSH CURB IN CONTINUOUS CONC HAUNCH
-  BLUESTONE PAVING: SELECT BLUE W/ THERMAL FINISH SET ON 6" #57 STONE & 1" LAYER OF 3/4" CRUSHED STONE SETTING BED
2" X 18" X 36"
2" X 18" X 72" OC W/ ENTRY
-  STABILIZED STONEDUST: 3" PREMIXED STONEDUST W/ ORGANIC LOCK BINDER SET ON 6" #57 STONE & NON-WOVEN FILTER FABRIC, BY READ CUSTOM SOILS EDGING: 2" X 12" BLUESTONE PAVER SET ON EDGE
-  6"X18" RAISED GRANITE CURB W/ SAWN TOP & ENDS, SPLIT FACE REMAINING SIDES, SET IN CONTINUOUS CONC HAUNCH
-  MAINTENANCE STRIP: 18" WIDTH OF 3/4" CRUSHED STONE W/ WEED BARRIER SET ON 6" #57 STONE W/ 'BORDER KING' STL EDGE BY BORDER CONCEPTS
-  'INTERNATIONAL 1000' POLE LIGHT BY PENN GLOBE
-  (2) 4' L X 18" W X 18" H T MONOLITHIC WOODBURY GRANITE BENCH BY SWENSON GRANITE
-  PLANTING AREA:
SHRUBS - 18" IMPORTED LOAM
GROUNDCOVERS - 12" IMPORTED LOAM
-  PROPOSED TREE
-  PROPOSED FLOWERING TREE
-  EXISTING TREE

LAYOUT NOTES

1. Locate, protect, and maintain bench marks, monuments, control points, and project engineering reference points. Re-establish disturbed or destroyed items at Contractor's expense.
2. Examine the areas and conditions under which site work is performed. Report any discrepancies with the plan to the Landscape Architect. Do not proceed with the work until unsatisfactory conditions are corrected.
3. Report discrepancies in drawings or specifications to the Landscape Architect for clarifications and adjustments before commencing work. Any deviations or changes from these drawings without written acceptance of the Landscape Architect shall oblige the Landscape Architect of any and all responsibility of said deviation and change.
4. Written dimensions take precedence over scaled dimensions.
5. Dimensions indicated on plans are for horizontal control and are accurate if measured on a level line. Measure horizontal control dimensions on a level line, not parallel with ground slope.
6. All dimensions taken from vertical surfaces, i.e. curbs & walls, are understood to be measured from the face of the vertical element unless otherwise specified.
7. All angles assumed to be 90° unless otherwise specified.

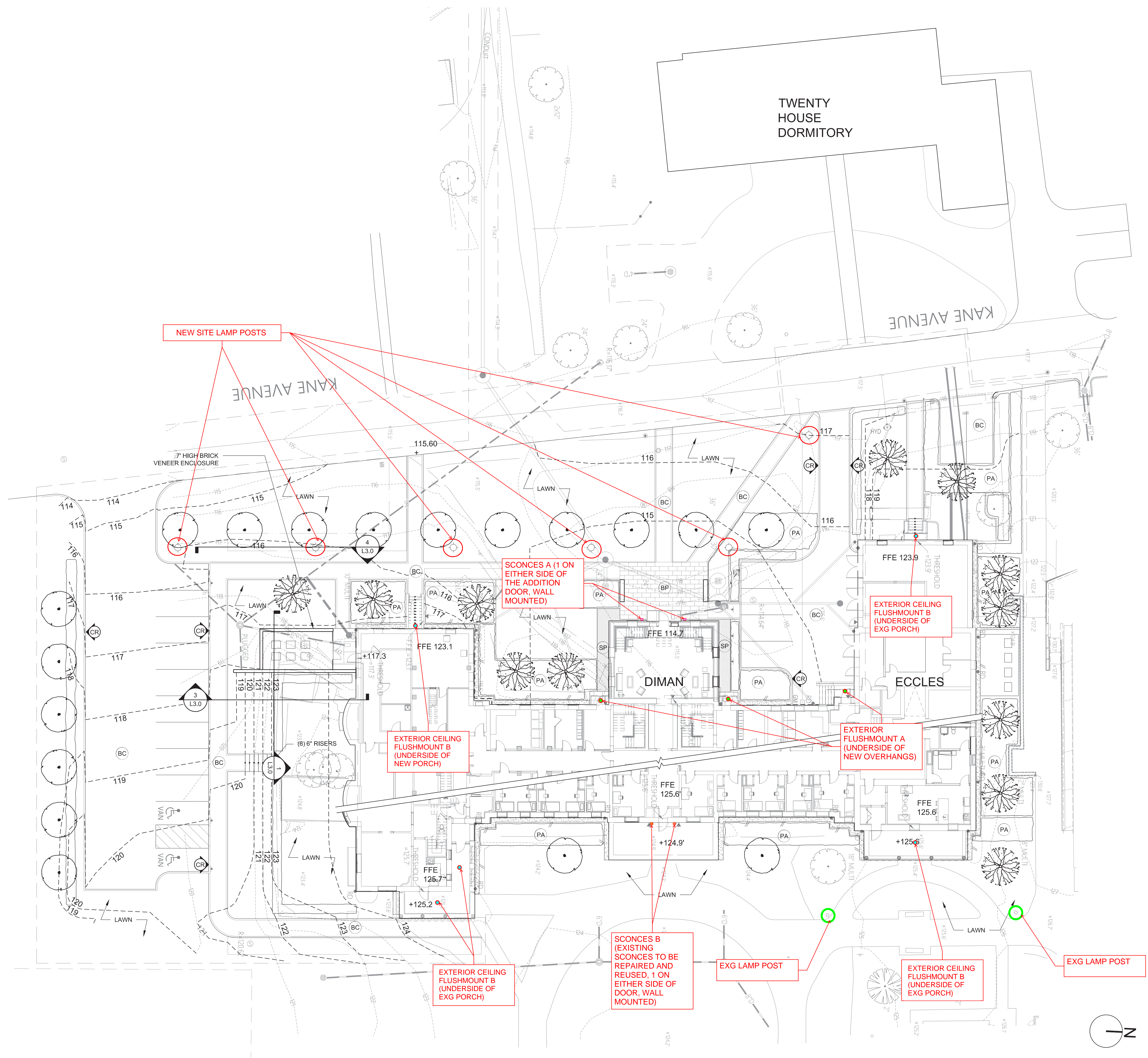


BID/PERMIT SET
 NOT FOR CONSTRUCTION

Revision	
Date	2022-02-17
Title	LAYOUT & MATERIALS PLAN
Scale	1/16"=1'-0"
Drawn By	CD

L1.0

Contractor to verify all dimensions in field and inform Architect of any discrepancies before starting work.



PENN GLOBE

LIGHTING DESIGN + MANUFACTURING

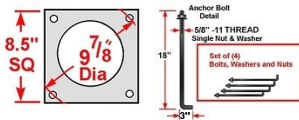
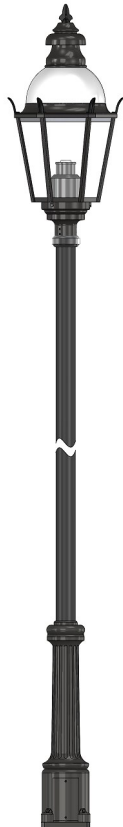
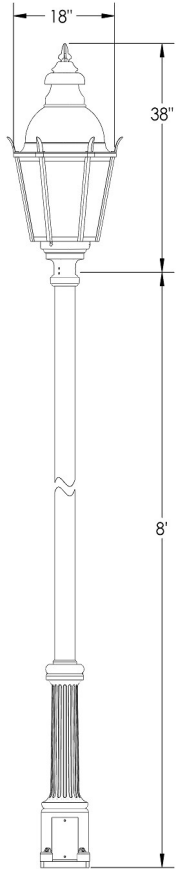


300 Shaw Road ° North Branford CT ° 06471

Phone: 203-484-7749 ° Fax: 203-484-7758

www.penn globe.com

DATE	
DRAWING NUMBER	977-16016-F956-P635
CUSTOMER	
PROJECT NAME	
PROJECT NUMBER	



PRIMARY LIGHT SOURCE	INCANDESCENT
CONFIGURATION	BASE DOWN
SOCKET	MEDIUM BASE
WATTAGE	BY OTHERS
VOLTAGE	120V
DOMES	WHITE ACRYLIC
LENSES	FROSTED ACRYLIC
MATERIALS	ALUMINUM
POLE HEIGHT	8' - 0"
ANCHORAGE	BOLT DOWN
MATERIAL	ALUMINUM
OPTIONS	LAMPS BY OTHERS BASE DOWN SOCKET ONLY
FINISH	BLACK #1003X LT
QUANTITY	(5)

APPROVED BY: _____

DATE: _____

MODEL NUMBER	DESCRIPTION
F956-LX291-SG954	INTERNATIONAL 850 LUMINAIRE
P635-W1121-1000	CLIFTON POST

The information contained in this drawing is the sole property of Pennsylvania Globe Gaslight Co. Any reproduction in part or as a whole without the written permission of Pennsylvania Globe Gaslight Co. is prohibited and may be subject to legal restriction or sanction. The information contained is privileged and confidential and may be protected from disclosure. All product, product specifications and data are subject to change without notice to improve reliability, function, design or otherwise. No representation or guarantee is made regarding the suitability of the products for any particular purpose or the continuing production of any product. Copyright© 2022 Penn Globe

Wall luminaires with single-sided light output

Housing: Extruded and die cast aluminum. Mounts directly to a BEGA 19537 box (provided). Die castings are marine grade, copper free ($\leq 0.3\%$ copper content) A360.0 aluminum alloy.

Enclosure: Tempered, clear glass, flush to the die casting to prevent water accumulation. Fully gasketed for weather tight operation using a 'U' channel molded silicone rubber gasket.

Electrical: 12.5W LED luminaire, 15.9 total system watts, -40°C start temperature. Integral 120V through 277V electronic LED driver, 0-10V, TRIAC, and ELV dimmable. LED module(s) are available from factory for easy replacement. Standard LED color temperature is 3000K with an 85 CRI. Available in 4000K (85 CRI); add suffix K4 to order.

Notes: LEDs supplied with luminaire. Due to the dynamic nature of LED technology, LED luminaire data on this sheet is subject to change at the discretion of BEGA-US. For the most current technical data, please refer to www.bega-us.com.

Finish: All BEGA standard finishes are polyester powder coat with minimum 3 mil thickness. Available in four standard BEGA colors: Black (BLK); White (WHT); Bronze (BRZ); Silver (SLV). To specify, add appropriate suffix to catalog number. Custom colors supplied on special order.

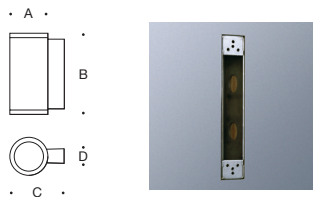
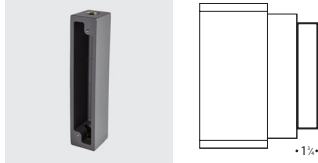
CSA certified to U.S. and Canadian standards for wet locations.
Protection class IP65

Weight: 7.3 lbs

Luminaire Lumens: 1258

Mounting options:

79547 Surface-mount wiring box



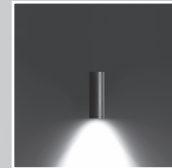
These luminaires mount over a custom BEGA recessed box. This box can be shipped ahead of the luminaire.

Narrow beam upwards or downwards

	Lamp	β	A	B	C	D	Wiring box*	
	66698*	12.5W LED	19.5°	5 ⁷ / ₈	11 ¹ / ₄	7 ⁷ / ₈	1 ⁵ / ₈	19537

β = Beam angle *Small opening wiring box included.

Type:
BEGA Product:
Project:
Voltage:
Color:
Options:
Modified:



SCONCES B



EXISTING SCONCES TO
BE REPAIRED &
REWIRED

LED semi-recessed ceiling downlight - partially frosted crystal glass

Application

LED semi-recessed ceiling luminaire with partially frosted crystal glass and symmetrical wide beam light distribution designed for downlighting atriums, passages and other interior and exterior locations.

Materials

Luminaire housing constructed of die-cast marine grade, copper free ($\leq 0.3\%$ copper content) A360.0 aluminum alloy
 Stainless steel trim ring
 Partially frosted crystal glass
 Reflector made of pure anodized aluminum
 High temperature silicone gasket
 Stainless steel screw clamps
 Galvanized steel rough in ceiling pan with through wiring box

NRTL listed to North American Standards, suitable for wet locations
 Protection class IP 65
 Weight: 1.4 lbs

Electrical

Operating voltage	120-277V AC
Minimum start temperature	-30° C
LED module wattage	8.7 W
System wattage	11 W
Controllability	0-10V dimming down to 0.1%
Color rendering index	Ra > 85
Luminaire lumens	744 lumens (3000K)
Lifetime at Ta = 15° C	420,000 h (L70)
Lifetime at Ta = 40° C	260,000 h (L70)

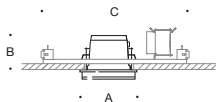
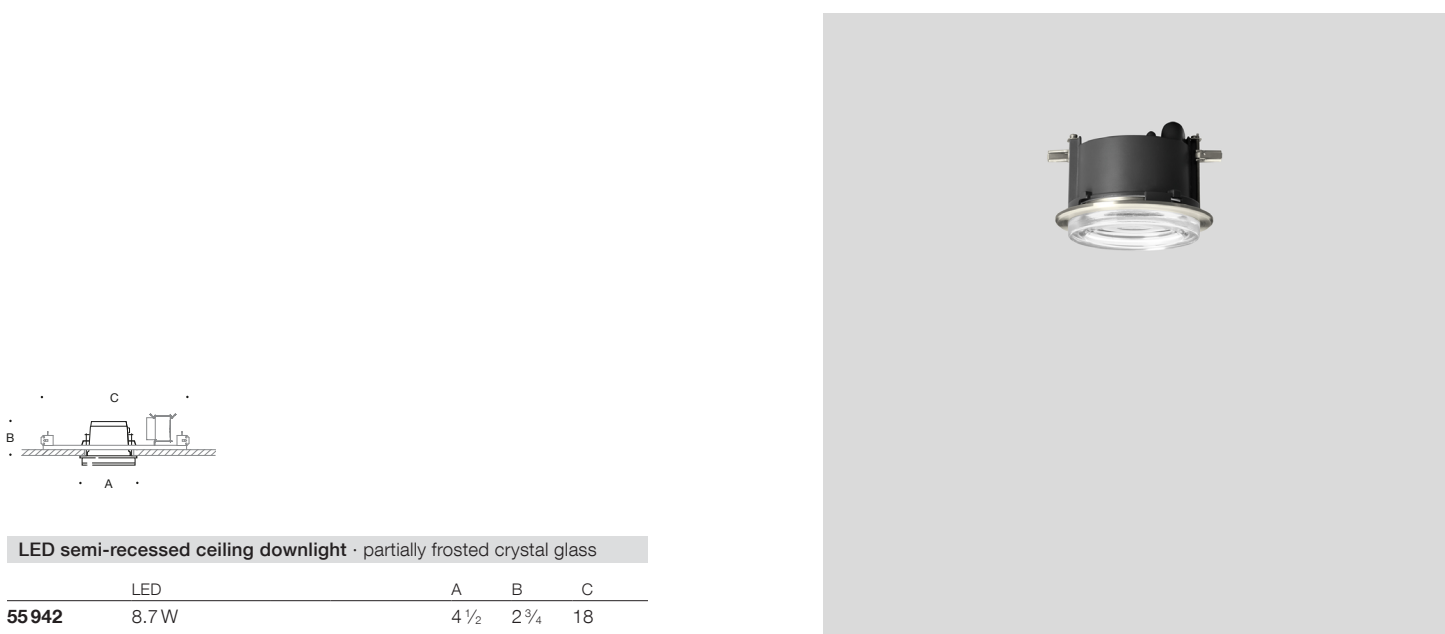
LED color temperature

- 4000K - Product number + **K4**
- 3500K - Product number + **K35**
- 3000K - Product number + **K3**
- 2700K - Product number + **K27**

BEGA can supply you with suitable LED replacement modules for up to 20 years after the purchase of LED luminaires - see website for details

Finish

#4 brushed stainless steel.
 Custom colors are not available.
 Stainless steel requires regular cleaning and maintenance, much like household appliances to maintain its luster and prevent tarnishing or the appearance of rust like stains.



LED semi-recessed ceiling downlight · partially frosted crystal glass

	LED	A	B	C
55942	8.7 W	4 1/2	2 3/4	18



Rectangular Window Ceiling Light

This hexagonal ceiling light features rectangular windows and decorative punchwork.



Shown with an aged tin finish.

SPECIFICATIONS

- UL listed for Dry location (may comply with Damp location when surface mounted to covered ceiling away from rain or sprinklers)
- 4" octagonal junction box

One Size

- 10.75" w x 9.5" d x 4.75" h
- Two Lamp
- 40-watt max (E26) socket

Materials

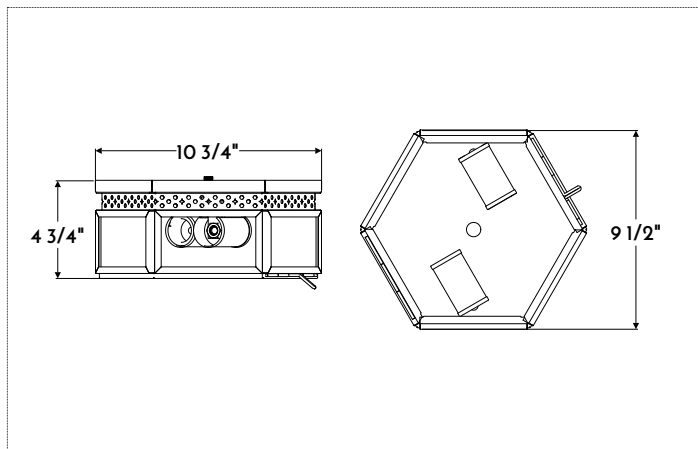
- Copper
- Tin*

Finishes

- NACP, BZCP, OXCP, LDCP
- AGTN*

Other Options

- Plain, Seeded, Frosted, Opal or Restoration Glass
- Custom materials and finishes available upon request



FINISHES	COPPER	TIN	
	NACP Natural**	AGTN Aged	
	BZCP Bronzed**	NATN Natural**	**Clear coat finish available
	OXCP Oxidized	BRTN Brushed**	
	LDCP Leaded		

*Interior use only, non-standard item - extended delivery may apply



EXISTING SITE LAMP POSTS



EXISTING SITE LAMP
POSTS