

Rosebrook Commons | 1747 West Main Road, Middletown, RI, 02842 | Design Development | June 20, 2022





A Perspective - Day View
Not to Scale



B Perspective - Night View
Not to Scale

Specifications

Qty = 2

Concrete Monument
Face Lit Channel Letters

*Remove & Dispose of Existing

Provided By Others - All below to be provided by others
 - 120V Primary electrical brought to sign location
 - Primary electrical connection by others

Customer to Approve:
 - Artwork shown or supply vector artwork
 - Logo was modified for production

Verify in Field (VIF)
 - Confirm signage will fit on fascia as shown

Colors & Materials

- 1 Concrete Structure
Finishing: Stone Body and Stucco Caps - Color TBD
- 2 Concrete Structure
Finishing: Textured Wall, Painted Off-white and Stucco Caps - Color TBD
- 3 Steel Art Front Lit Channel Letters
Return: Statuary Oxidize Brass
Faces: Printed Perforated Day/night Vinyl, Color to Match Return
Mounting: Bottom Mount



Rosebrook Commons


1747 West Main Road,
Middletown, RI, 02842

Project: 2631
Rosebrook Commons

Sales: Jeff Carter
Date: 06.20.2022
Designer: TSP

Note:
This is an original unpublished drawing created by Poyant Signs, Inc. It is submitted for your personal use in connection with a project being planned for you by Poyant Signs, Inc. It is not to be shown to anyone outside your organization, nor is it to be reproduced, copied or exhibited in any fashion until transferred.

Revisions:

 This sign is intended to be installed in accordance with the requirements of Article 600 of the National Electrical Code and / or other applicable local codes. This includes proper grounding and bonding of the sign.

Approved By:

Date:

Monument Sign

Rosebrook Commons


1747 West Main Road,
Middletown, RI, 02842

Project: 2631
Rosebrook Commons

Sales: Jeff Carter
Date: 06.20.2022
Designer: TSP

Note:
This is an original unpublished drawing created by Poyant Signs, Inc. It is submitted for your personal use in connection with a project being planned for you by Poyant Signs, Inc. It is not to be shown to anyone outside your organization, nor is it to be reproduced, copied or exhibited in any fashion until transferred.

Revisions:

 This sign is intended to be installed in accordance with the requirements of Article 600 of the National Electrical Code and / or other applicable local codes. This includes proper grounding and bonding of the sign.

Approved By: _____

Date: _____

Monument Sign

Specifications

Qty = 2

Concrete Monument
Face Lit Channel Letters

*Remove & Dispose of Existing




Provided By Others - All below to be provided by others

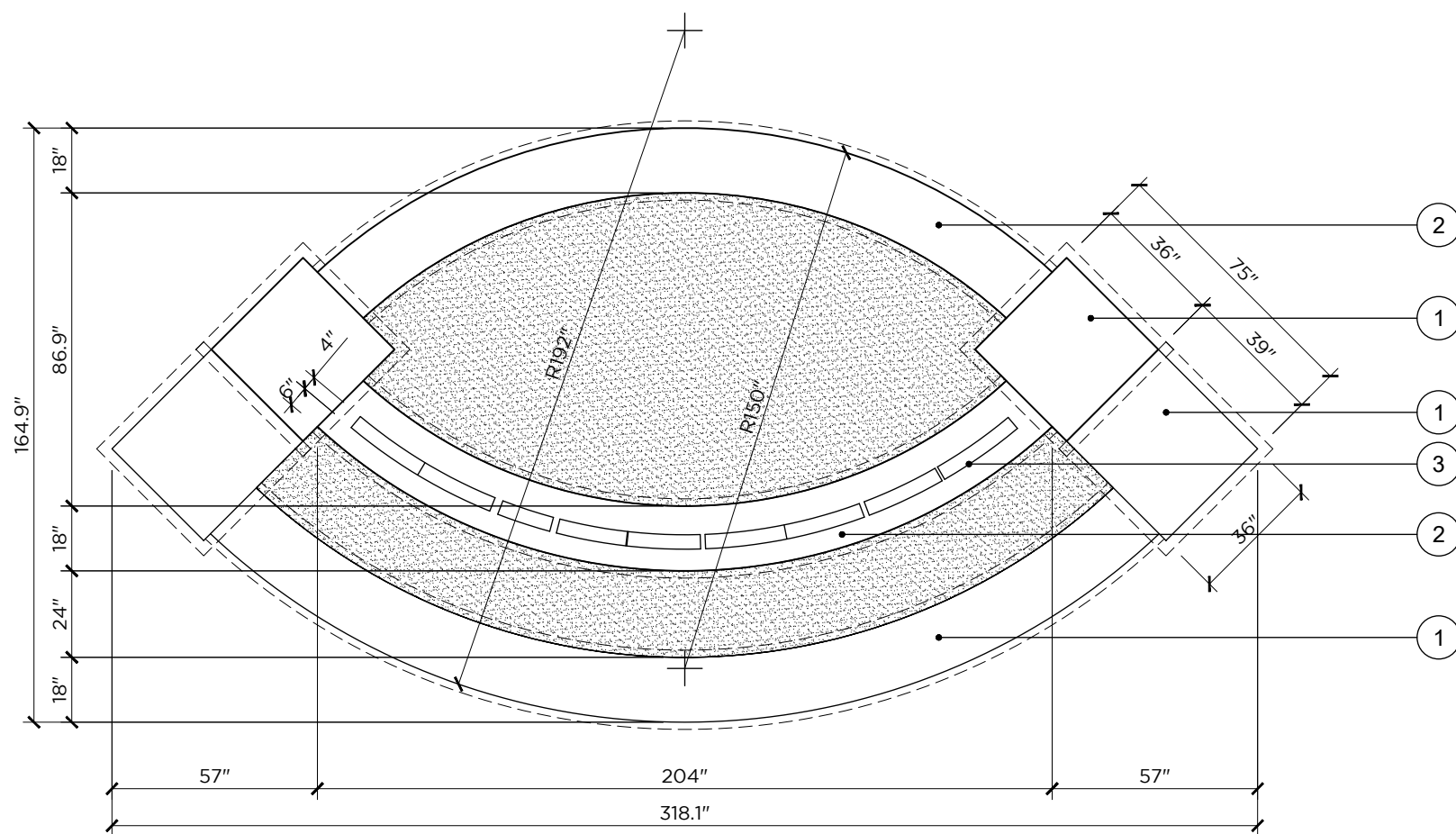
- 120V Primary electrical brought to sign location
- Primary electrical connection by others

Customer to Approve:
- Artwork shown or supply vector artwork
- Logo was modified for production

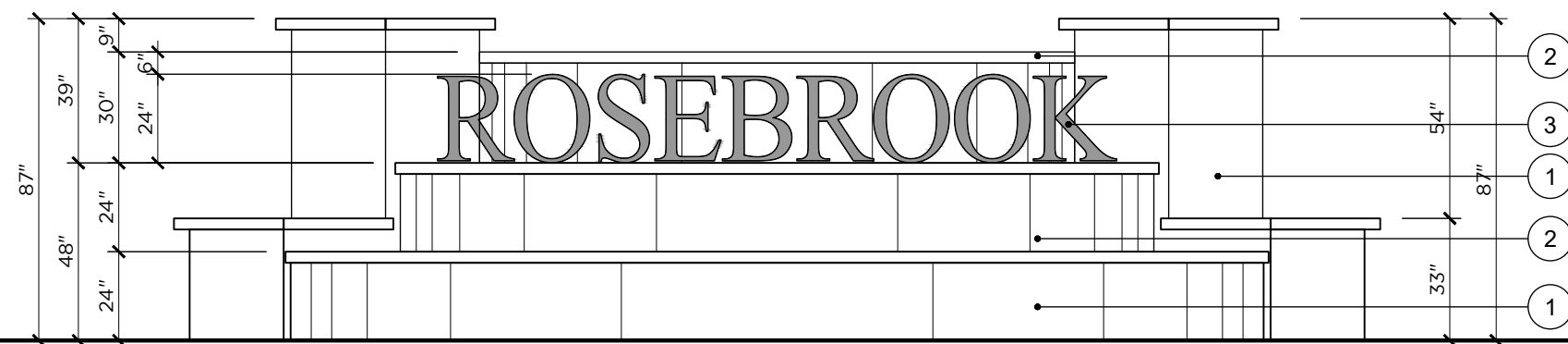
Verify in Field (VIF)
- Confirm signage will fit on fascia as shown

Colors & Materials

-  Concrete Structure
Finishing: Stone Body and Stucco Caps - Color TBD
-  Concrete Structure
Finishing: Textured Wall, Painted Off-white and Stucco Caps - Color TBD
-  Steel Art Front Lit Channel Letters
Return: Statuary Oxidize Brass
Faces: Printed Perforated Day/night Vinyl, Color to Match Return
Mounting: Bottom Mount



A Monument - Top View
Scale: 1/4"=1'-0"



B Monument - Front View
Scale: 1/4"=1'-0"



A Perspective - Day View
Not to Scale



B Perspective - Night View
Not to Scale

Specifications

Qty = 2

Blade Sign
Halo Lit Channel Letters

*Remove & Dispose of Existing

Provided By Others - All below to be provided by others
 - 120V Primary electrical brought to sign location
 - Primary electrical connection by others

Customer to Approve:
 - Artwork shown or supply vector artwork
 - Logo was modified for production

Verify in Field (VIF)
 - Confirm signage will fit on fascia as shown

Colors & Materials

- 1** Bracket: 2"x4" square tube
Painted Off-white
- 2** Backer: Aluminum with Inner Structure
Color: Statuary Oxidize Brass
- 3** Steel Art Halo Lit Channel Letters
Color: Off-white
Mounting: Direct Mount with Spacers



Rosebrook Commons


1747 West Main Road,
Middletown, RI, 02842

Project: 2631
Rosebrook Commons

Sales: Jeff Carter
Date: 06.20.2022
Designer: TSP

Note:
 This is an original unpublished drawing created by Poyant Signs, Inc. It is submitted for your personal use in connection with a project being planned for you by Poyant Signs, Inc. It is not to be shown to anyone outside your organization, nor is it to be reproduced, copied or exhibited in any fashion until transferred.

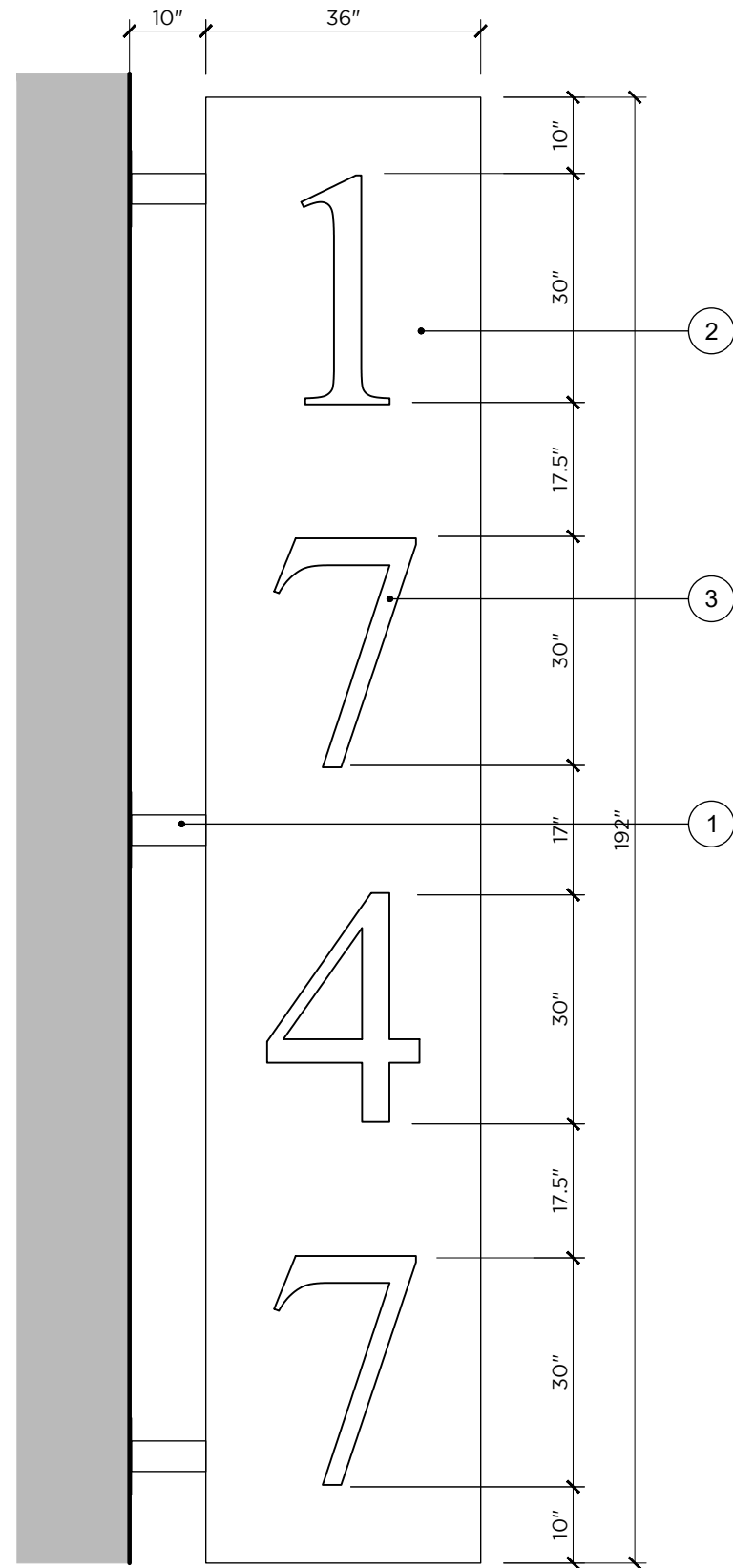
Revisions:

 This sign is intended to be installed in accordance with the requirements of Article 600 of the National Electrical Code and / or other applicable local codes. This includes proper grounding and bonding of the sign.

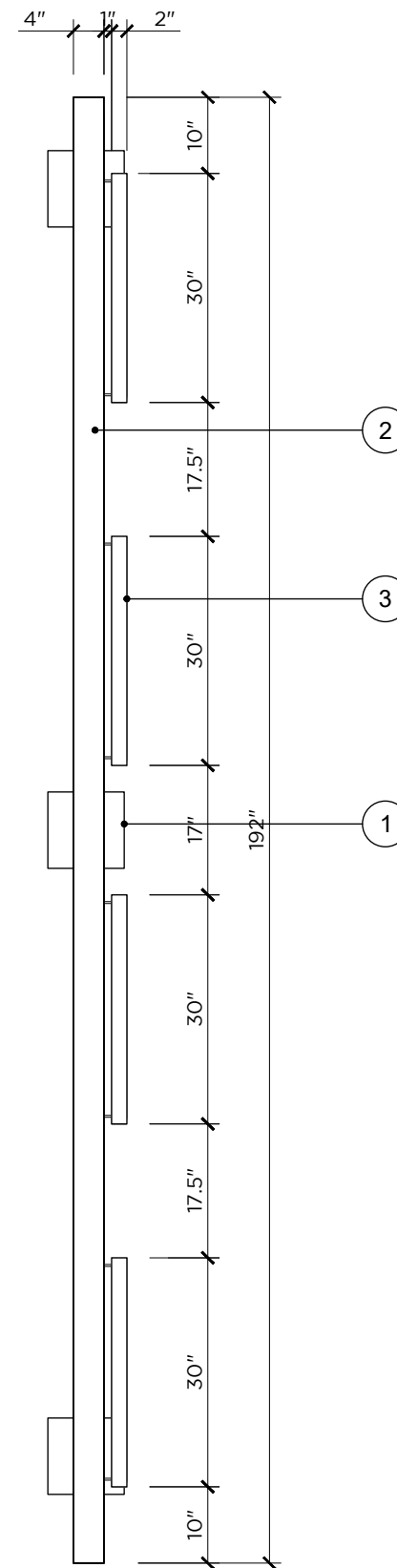
Approved By:

Date:

Monument Sign



A Blade Sign - Front View
Scale: 1/2"=1'-0"



B Blade Sign - Side View
Scale: 1/2"=1'-0"

Specifications

Qty = 2

Blade Sign
Halo Lit Channel Letters

*Remove & Dispose of Existing

Provided By Others - All below to be provided by others
 - 120V Primary electrical brought to sign location
 - Primary electrical connection by others

Customer to Approve:
 - Artwork shown or supply vector artwork
 - Logo was modified for production

Verify in Field (VIF)
 - Confirm signage will fit on fascia as shown

Colors & Materials

- 1** Bracket: 2"x4" square tube
Painted Off-white
- 2** Backer: Aluminum with Inner Structure
Color: Statuary Oxidize Brass
- 3** Steel Art Halo Lit Channel Letters
Color: Off-white
Mounting: Direct Mount with Spacers



Rosebrook Commons

1747 West Main Road,
Middletown, RI, 02842

Project: 2631
Rosebrook Commons

Sales: Jeff Carter
Date: 06.20.2022
Designer: TSP

Note:
 This is an original unpublished drawing created by Poyant Signs, Inc. It is submitted for your personal use in connection with a project being planned for you by Poyant Signs, Inc. It is not to be shown to anyone outside your organization, nor is it to be reproduced, copied or exhibited in any fashion until transferred.

Revisions:

This sign is intended to be installed in accordance with the requirements of Article 600 of the National Electrical Code and / or other applicable local codes. This includes proper grounding and bonding of the sign.

Approved By:

Date:

Monument Sign