

VSX-II LED Specifications



*Universal Arm Mount (UAM) Version Shown.

Project Name:

Catalog Number:

Type:

The **VSX-II LED** Series offers clean, functional styling that is defined by its sleek low profile design and rugged construction. It combines LED performance and advanced LED thermal management technology and provides outdoor lighting that is both energy efficient and aesthetically pleasing.

The LED's performance and the driver's life are maximized by enclosing them in two separate cast aluminum housings. Easy captive screw access for mounting and maintenance.

The LED light assemblies come with 16 to 48 LEDs. Eight optical distribution patterns are available. Choose between 3000, 4000 or 5000 Kelvin temperature of the LEDs.

A durable polyester powder coat finish is guaranteed for five years; and is available in standard or custom colors.

The **VSX-II LED** series is an exceptional choice for commercial parking lots, office complexes, architectural projects, and other general lighting projects.

Ordering Information

MODEL	OPTICS	LEDs	CURRENT	KELVIN	VOLTAGE	MOUNTING	FINISH	OPTIONS	OPTIONS	OPTIONS	
VSX-II	T1 Type 1	16LC	3 350mA	3K 3000K	UNV 120-277V	AM Arm Mount	BZ Bronze	PCR-120 PCR-208 PCR-240 PCR-277 PCR-347 PCR-480 Photocell & Receptacle	WSC-8 Motion Sensor 8' Mounting Height	UPMA-S Universal Square Pole Mount Adaptor	
	T2 Type 2	32LC	5 530mA	4K 4000K							8 347V
	T3 Type 3	48LC	7 700mA	5K 5000K	5 480V	UAM Universal Arm W/ Terminal Block Mount (Retrofit)	SBK Smooth Black	PER 5PINPER 7PINPER 3, 5, or 7 Pin Photo Receptacle w/shorting cap Requires Dimming Driver	WSC-40 Motion Sensor 21-40' Mounting Height	BAWP Cast Wall Plate	
	T4 Type 4		10 1050mA								MAF Mast Arm Fitter
	T4A Type 4 Automotive					KM Knuckle Mount	SWH Smooth White		ROT-L Rotated Optics Left Side		
	T5 Type 5					WM Wall Mount *Requires BAWP	GP Graphite	DIM 0-10v Dimming Driver	UMAP Universal Mast arm fitter		
	T5W Type 5 Wide					AWM Adjustable Wall Mount	GY Grey	RPP-3" RPP-4" RPP-5" Round Pole Plate Adaptor	ECLS Egg Crate Louver Shield	CLS Backside cutoff shield *Not to be used with KM	
	T5WR Type 5 Wide Round					*Round Pole Plate Adaptors (RPP) are to be ordered separately.	SL Silver Metallic	VWC Visionaire Wireless Controls *Consult Factory	ADJLS Adjustable Louver Light Shield	RCLS Rightside cutoff shield *Not to be used with KM	
					*BAWP to be ordered separately	CC Custom Color		BD Barn Door Shield	LCLS Leftside cutoff shield *Not to be used with KM	HS House shield	

Features & Specifications

VSX-II

Housing

Cast aluminum LED housing with integral cooling fins for thermal management.

Mounting Arm/Driver Compartment

Durable two-piece die cast aluminum driver compartment utilizes stainless steel hardware and sealed with a one-piece silicone gasket.

Thermal Management

- The VSX-II series provides excellent thermal management by mounting the LEDs to the substantial heat sink of the housing. This enables the Luminaire to withstand higher ambient temperatures and driver currents without degrading LED life.
- The L70 test determines the point in an LEDs life when it reaches 70 percent of its initial output. The VSX-II series LEDs have been determined to last 100,000+ hours in 25° C environments when driven at 350 mA.

Optical System

- The highest lumen output LEDs are utilized in the VSX-II series. IES distribution Types I, II, III, IV, IV-A, V, V-W and V-WR are available. The optical system qualifies as IES full cutoff to restrict light trespass, glare and light pollution.
- CRI values are 70.

Quali-Guard® Finish

- The finish is a Quali-Guard® textured, chemically pretreated through a multiple-stage washer, electrostatically applied, thermoset polyester powder coat finish, with a minimum of 3-5 millimeter thickness. Finish is oven-baked at 400° F to promote maximum adherence and finish hardness. All finishes are available in standard and custom colors.
- Finish is guaranteed for five (5) years.

Electrical Assembly

- The VSX-II LED series is supplied with a choice of 350, 530, 700 or 1050 mA high-performance LED drivers that accept 120v thru 480v, 50 Hz to 60 Hz, input. Power factor of 90%. Rated for -40°C operations.
- 10 kV surge protector supplied as standard.
- Terminal block supplied as standard on AM, SAM and UAM as standard

Warranty

- Five (5) year Limited Warranty on entire system, including finish. For full warranty information, please visit visionairelighting.com.

Options

- Photocell & Receptacle
- Photo Receptacle and Shorting Cap
- 0-10v Dimming Driver
- Motion Sensor
- Wireless Control
- Round pole plate adapter
- Universal Pole Mount Adaptor
- Cast Wall Plate
- Rotated Optics

Listings

- The VSX-II Series is cUL Listed
- IP65 Rated Housing
- ANSI Certification
- Powder Coated Tough
- IDA Certification
- DLC listed

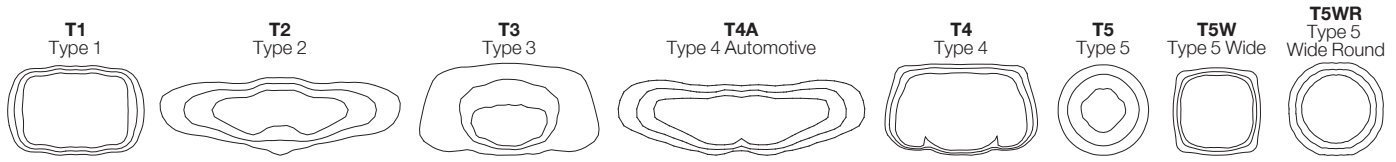


DesignLights Consortium (DLC) qualified Product. Some configurations of this product family may not be DesignLights Consortium (DLC) listed, please refer to the DLC qualified products list to confirm listed configurations. <http://www.designlights.org/>
3000K must be selected with a fixed mount for IDA certification.
Fixed mount must be selected for IDA dark sky certification.

VSX-II - Electrical Load (A)							
Ordering Nomenclature	System Watts	120V	208V	240V	277V	347V	480V
VSX-II-T5-16LC-3	18	0.15	0.09	0.08	0.06	0.05	0.04
VSX-II-T5-16LC-5	26	0.22	0.13	0.11	0.09	0.07	0.05
VSX-II-T5-16LC-7	37	0.31	0.18	0.15	0.13	0.11	0.08
VSX-II-T5-16LC-10	56	0.47	0.27	0.23	0.20	0.16	0.12
VSX-II-T5-32LC-3	37	0.31	0.18	0.15	0.13	0.11	0.08
VSX-II-T5-32LC-5	52	0.43	0.25	0.22	0.19	0.15	0.11
VSX-II-T5-32LC-7	74	0.62	0.36	0.31	0.27	0.21	0.15
VSX-II-T5-32LC-10	112	0.93	0.54	0.47	0.40	0.32	0.23
VSX-II-T5-48LC-3	55	0.46	0.26	0.23	0.20	0.16	0.11
VSX-II-T5-48LC-5	78	0.65	0.38	0.33	0.28	0.22	0.16
VSX-II-T5-48LC-7	105	0.88	0.50	0.44	0.38	0.30	0.22
VSX-II-T5-48LC-10	160	1.33	0.77	0.67	0.58	0.46	0.33

VSX-II LED Specifications

Photometric Optical Summary



EPA Data								
	0.58	.92	1.16	1.45	1.40	1.40	1.48	1.48

VSX-II-KM EPA DATA										
Degree of Tilt	0°	10°	20°	30	40°	50°	60°	70°	80°	90°
EPA	0.14	0.18	0.24	0.39	0.54	0.79	1.05	1.35	1.74	2.20

Dimensions

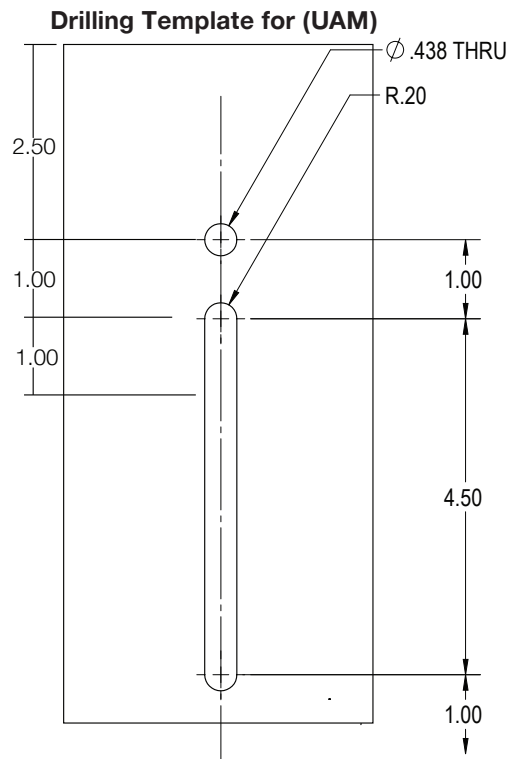
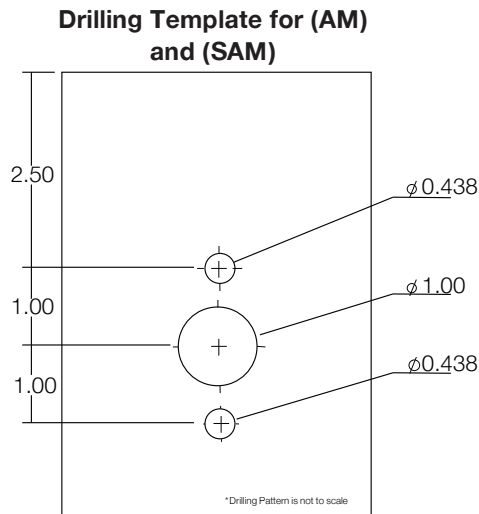
Width: VSX-II 12.5"

Depth: VSX-II 23"

Height: VSX-II 4"

Overall Height: VSX-II 8"

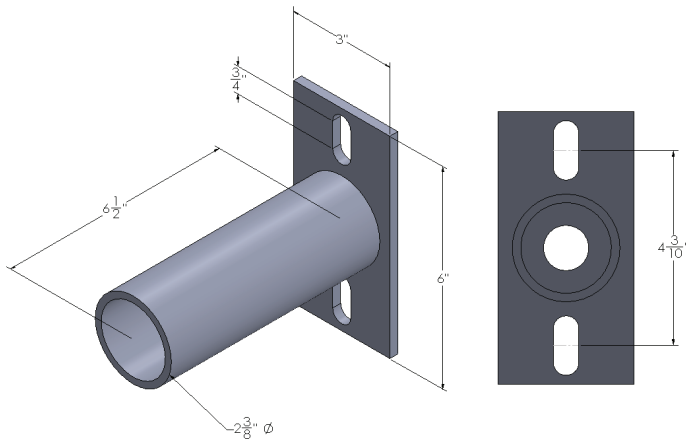
Weight: 25 LBS



VSX-II Options

Universal Mast Arm Fitter

UMAP – The Universal Mast Arm Fitter is a simple solution for retrofit applications where a fixture needs to mount to an existing pole, the UMAP is meant to be use to with knuckle mounts and also Mast Arm Fitters. The UMAP has a bolt slot ranging from 7" all the way down to 3.5". The UMAP also has a Round Pole Plate Adaptor (RPP) for mounting to round poles.



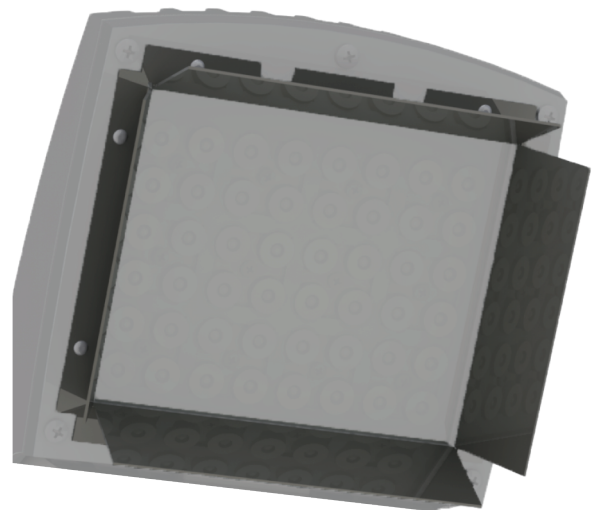
Egg Crate Light Shield



Adjustable Louver Light Shield



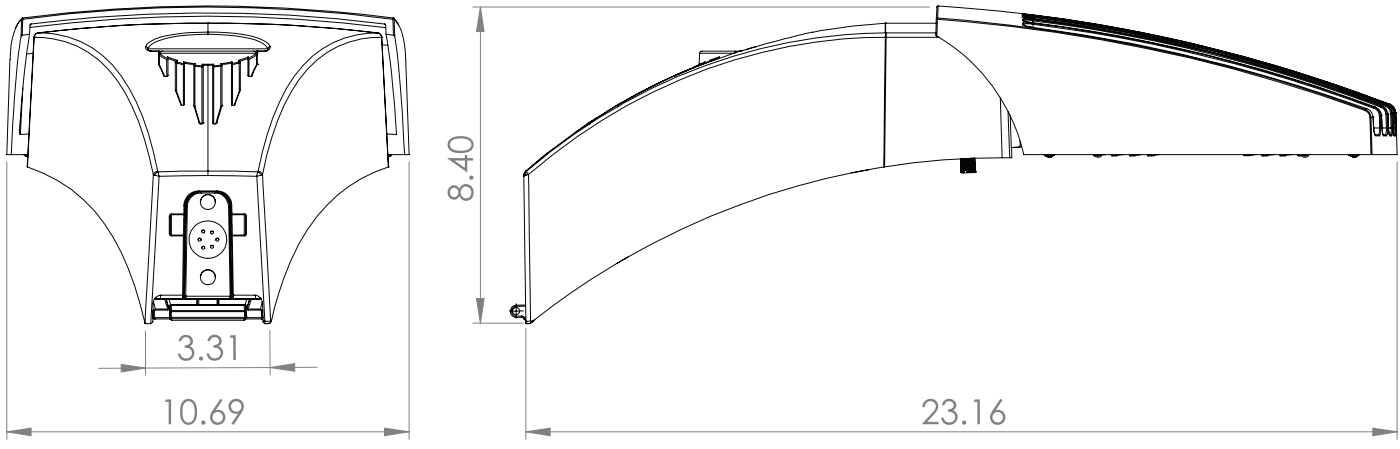
Barn Door Light Shield



VSX-II LED Specifications

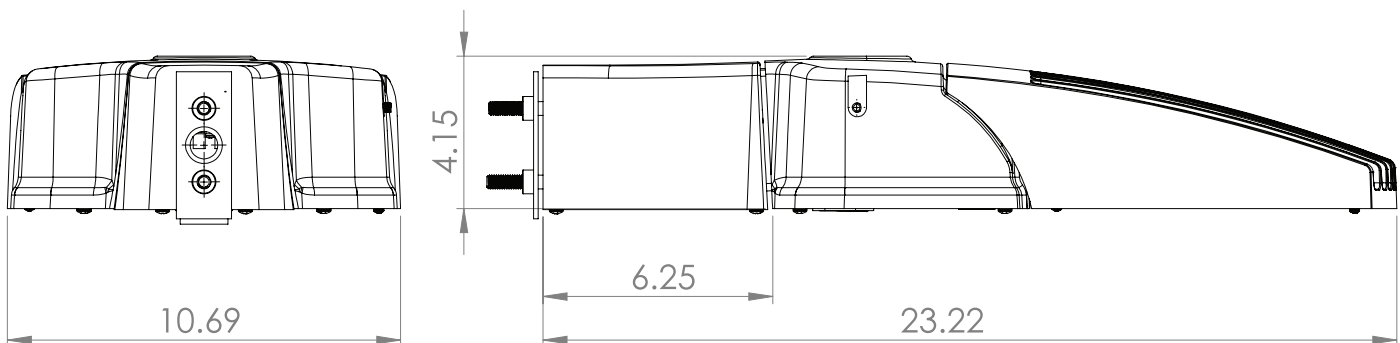
Arm Mount (AM)

The Arm Mount (AM) utilizes a 2 piece cleat system for easy installation, a terminal block is supplied as standard. A Round Pole Plate Adapter (RPP) is required for mounting to round poles.



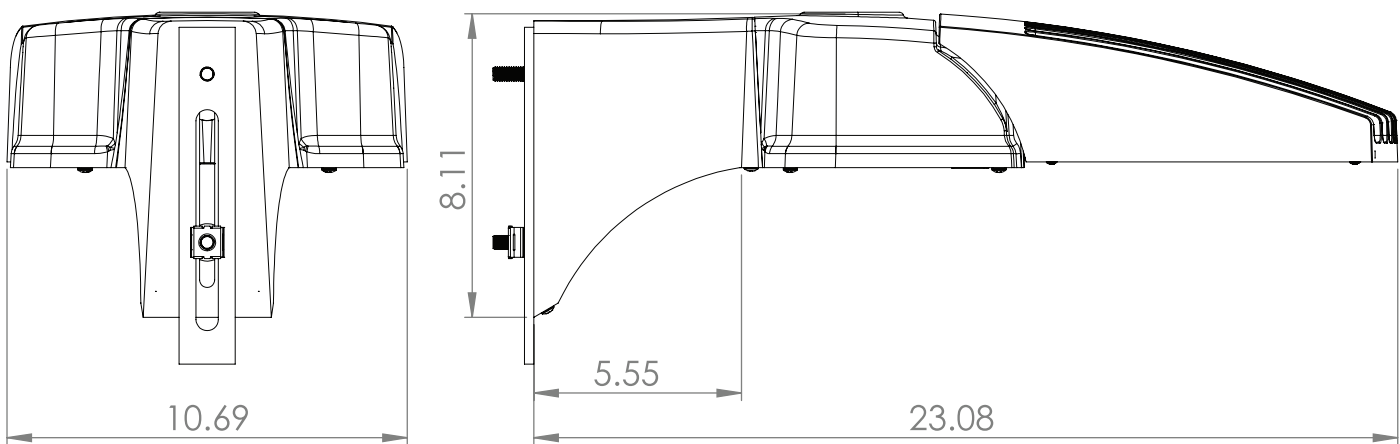
Straight Arm Mount (SAM)

The Straight Arm Mount (SAM) uses a 2 piece mounting system, a terminal block is supplied as standard. A Round Pole Plate Adapter (RPP) is required for mounting to round poles.



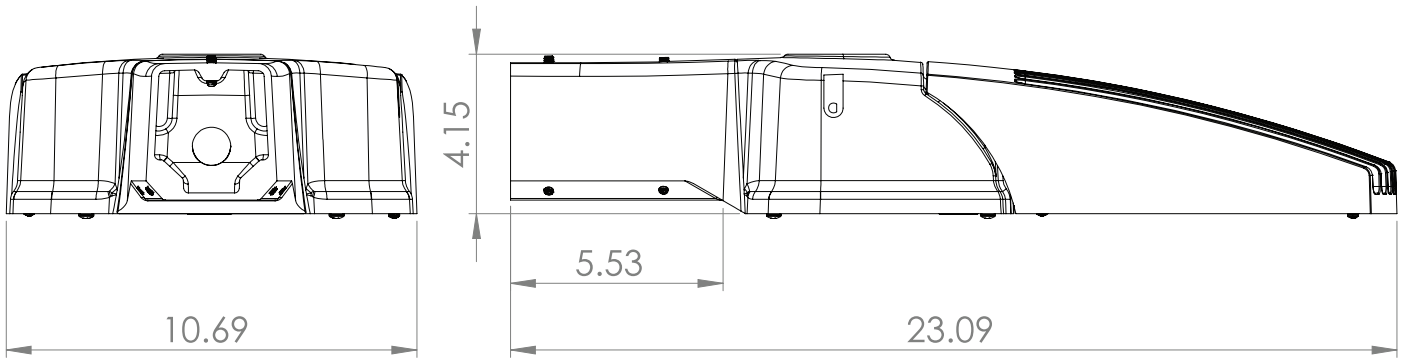
Universal Arm Mount (UAM)

The Universal Arm Mount (UAM) is meant for retrofit Applications and has a drilling templat ranging from 3" to 5.5". A Round Pole Plate Adapter (RPP) is required for mounting to round poles.



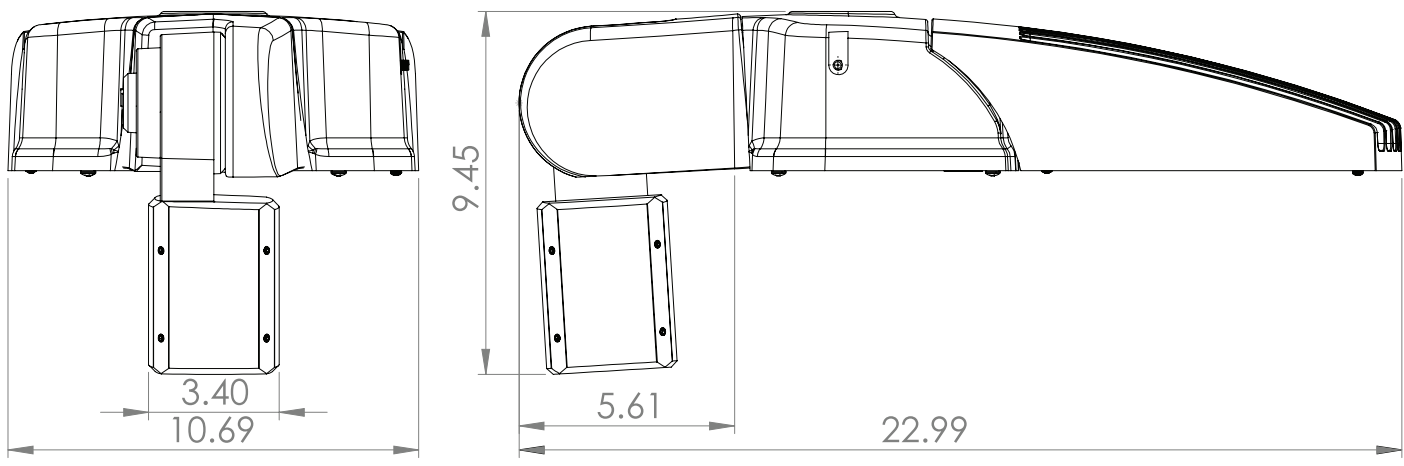
Mast Arm Fitter (MAF)

Mast Arm Fitter fits over a 1 5/8" - 2 3/8" tenon.



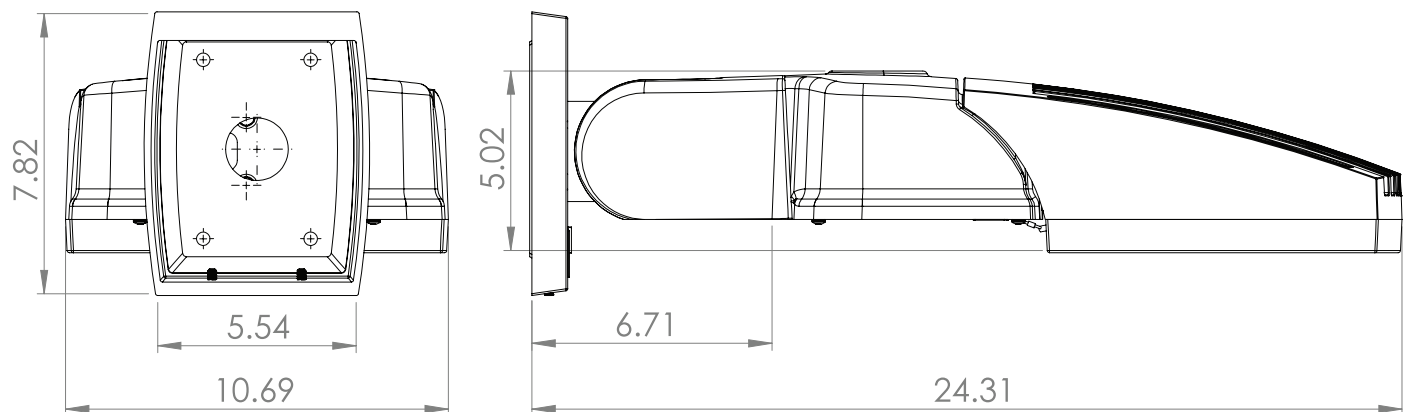
Knuckle Mount (KM)

An adjustable knuckle slip fits over a 2 3/8" Tenon, and allows for up to 90° degrees of vertical adjustment in 10° degree increments from horizontal, as well as full side to side adjustment.



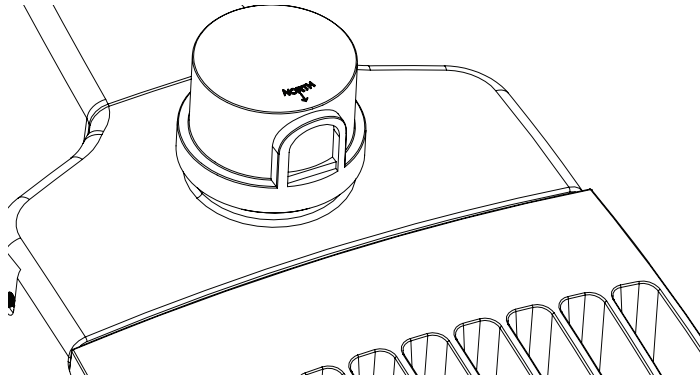
Adjustable Wall Mount (AWM)

Wall Mount - Adjustable up to 50° in 10° increments.

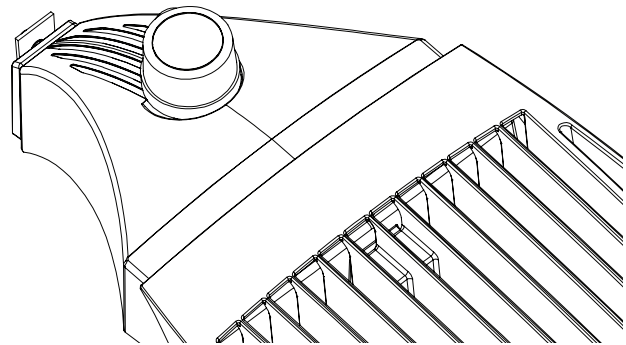


VSX-II LED Specifications

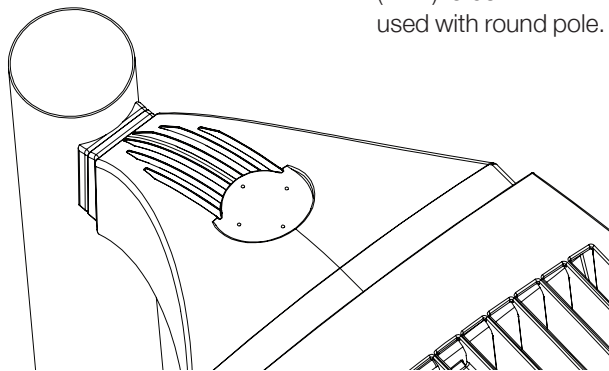
Twist lock Photocell & Receptacle - Dusk to dawn sensor.



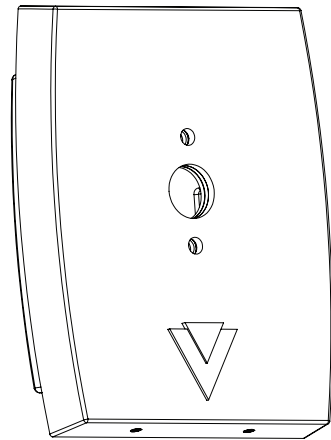
Photocell Receptacle and Shorting Cap



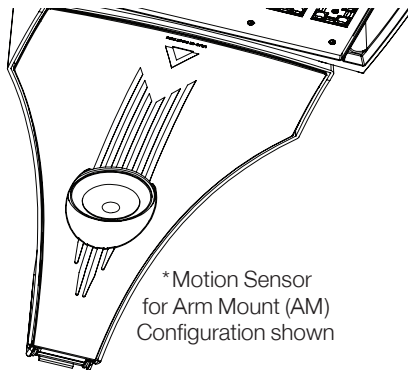
Round Pole Plate Adaptor (RPP) - Round Pole Plate Adaptor (RPP) to be used with round pole.



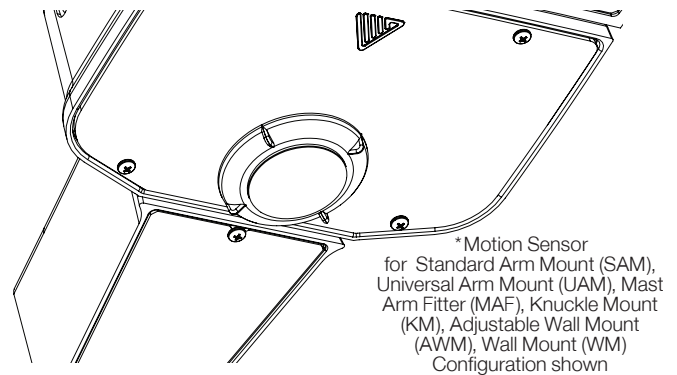
Cast Wall Plate - Arm Mount Wall Plate is needed to wall mount the VSX-II.



Motion Sensor -
*This option will require one FSIR 100 remote for programming.



Motion Sensor (for SAM, UAM, MAF, KM, WM, AWM) -
*This option will require one FSIR 100 remote for programming.



The FSP-211 by Legrand is integrated into the VSX housing and provides multi-level control based on motion and/or daylight contribution.

Lens Coverage Patterns:

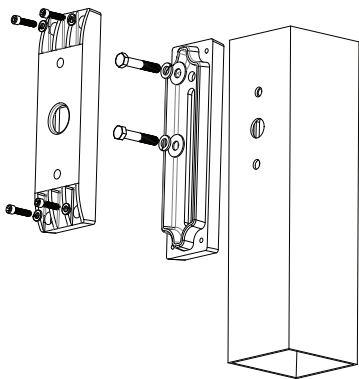
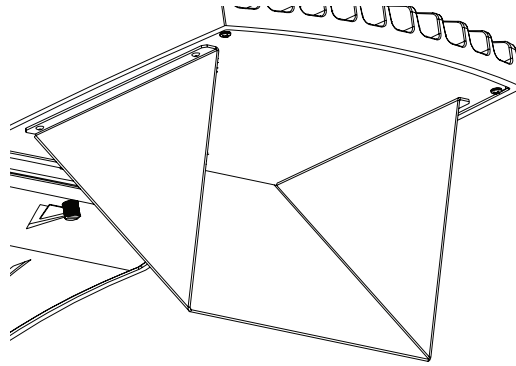
WSC-8	360° lens, maximum coverage 48'; diameter from 8' height
WSC-20	360° lens, maximum coverage 48'; diameter from 20' height
WSC-40	360° lens, maximum coverage 100'; diameter from 40' height

Motion Sensor Default Settings

High Mode	0 Volts
Low Mode	1 Volts
Time Delay	5 Minutes
Cut Off	1 Hour
Sensitivity	Maximum
Hold Off Set Point	4ft
Candles	N/A
Ramp Up	None
Fade Down	None
Force Off Set Point With Occupied	Disable

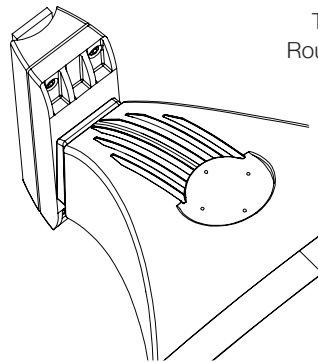
House Shield - Provides solid back light cutoff

House Shield



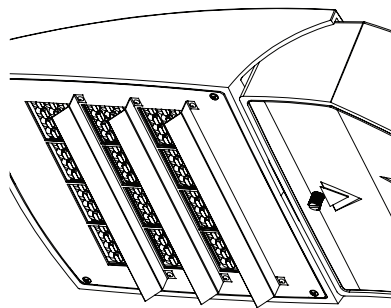
UPMA

The Universal Pole Mount Adaptor is ideal for retrofit applications with existing square poles. This adaptor is slotted to fit any existing drilling pattern, up to 6 1/2" bolt to bolt maximum.



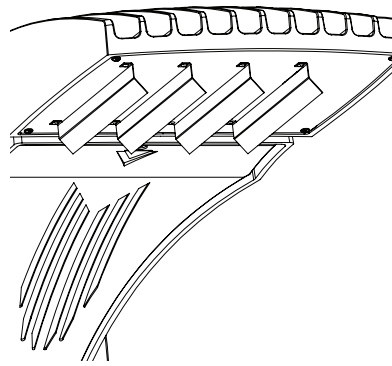
UPMA-R

The Universal Pole Mount Adaptor Round is ideal for retrofit applications with existing round poles. This adaptor is slotted to fit any existing drilling pattern, up to 6 1/2" bolt to bolt maximum.



CLS

The Back Side Cutoff Louver Shield will reduce light output behind the fixture, all of the light will be focused in front of the VSX.
*Not to be used with KM

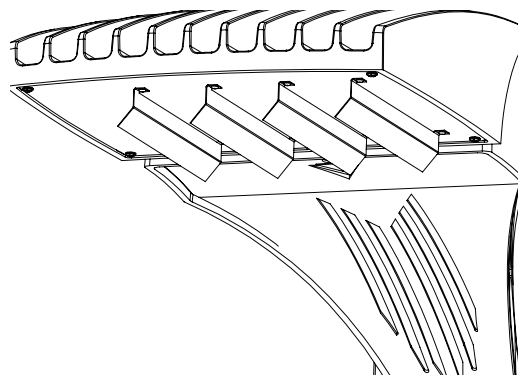


LCLS

The Left Side Cutoff Louver Shield will reduce light output on the left side of the fixture, all of the light be focused on the right side of the VSX.
*Not to be used with KM

RCLS

The Right Side Cutoff Louver Shield will reduce light output on the right side of the fixture, all of the light be focused on the left side of the VSX.
*Not to be used with KM



VSX-II LED Specifications

VSX-II - 3K Lumen Data										
#LED's	mA	Type 1	Type 2	Type 3	Type 4	Type 4A	Type 5	Type 5W	Type 5WR	Watts
16	350	2413	2220	2238	2190	2422	2359	2231	2187	18
	530	3237	2978	3002	2938	3249	3165	2993	2935	26
	700	4273	3931	3963	3878	4289	4177	3950	3874	37
	1050	6049	5565	5610	5490	6071	5913	5592	5484	56
32	350	4859	4470	4506	4410	4876	4750	4492	4405	37
	530	6519	5997	6046	5917	6543	6373	6026	5910	52
	700	8604	7916	7980	7810	8636	8412	7955	7801	74
	1050	12097	11130	11219	10980	12141	11826	11184	10967	112
48	350	7288	6705	6759	6615	7315	7125	6738	6607	55
	530	9778	8996	9069	8875	9814	9559	9040	8865	78
	700	12906	11874	11970	11715	12954	12617	11932	11701	105
	1050	18146	16694	16829	16470	18212	17739	16775	16451	160
VSX-II - 4K Lumen Data										
#LED's	mA	Type 1	Type 2	Type 3	Type 4	Type 4A	Type 5	Type 5W	Type 5WR	Watts
16	350	2540	2337	2355	2305	2549	2483	2348	2320	18
	530	3408	3135	3160	3093	3420	3331	3150	3113	26
	700	4498	4138	4171	4082	4514	4397	4158	4109	37
	1050	6367	5858	5905	5779	6390	6224	5886	5816	56
32	350	5114	4705	4743	4642	5133	5000	4728	4672	37
	530	6862	6313	6364	6228	6887	6708	6344	6268	52
	700	9057	8333	8400	8221	9090	8854	8373	8273	74
	1050	12734	11715	11810	11558	12781	12448	11772	11632	112
48	350	7671	7058	7115	6963	7700	7500	7092	7008	55
	530	10293	9470	9546	9342	10331	10062	9516	9402	78
	700	13586	12499	12600	12331	13636	13281	12560	12410	105
	1050	19101	17573	17715	17337	19171	18673	17658	17448	160
VSX-II - 5K Lumen Data										
#LED's	mA	Type 1	Type 2	Type 3	Type 4	Type 4A	Type 5	Type 5W	Type 5WR	Watts
16	350	2437	2242	2260	2212	2446	2383	2253	2210	18
	530	3270	3008	3033	2968	3282	3197	3023	2965	26
	700	4316	3971	4003	3918	4332	4219	3990	3913	37
	1050	6110	5621	5666	5545	6132	5973	5648	5539	56
32	350	4908	4515	4552	4454	4926	4798	4537	4449	37
	530	6585	6058	6107	5977	6609	6437	6087	5970	52
	700	8691	7996	8061	7889	8723	8496	8035	7880	74
	1050	12219	11242	11333	11091	12264	11945	11297	11078	112
48	350	7362	6773	6827	6682	7389	7197	6806	6674	55
	530	9877	9087	9160	8965	9913	9656	9131	8954	78
	700	13037	11994	12091	11833	13085	12745	12052	11819	105
	1050	18329	16863	16999	16636	18396	17918	16945	16617	160

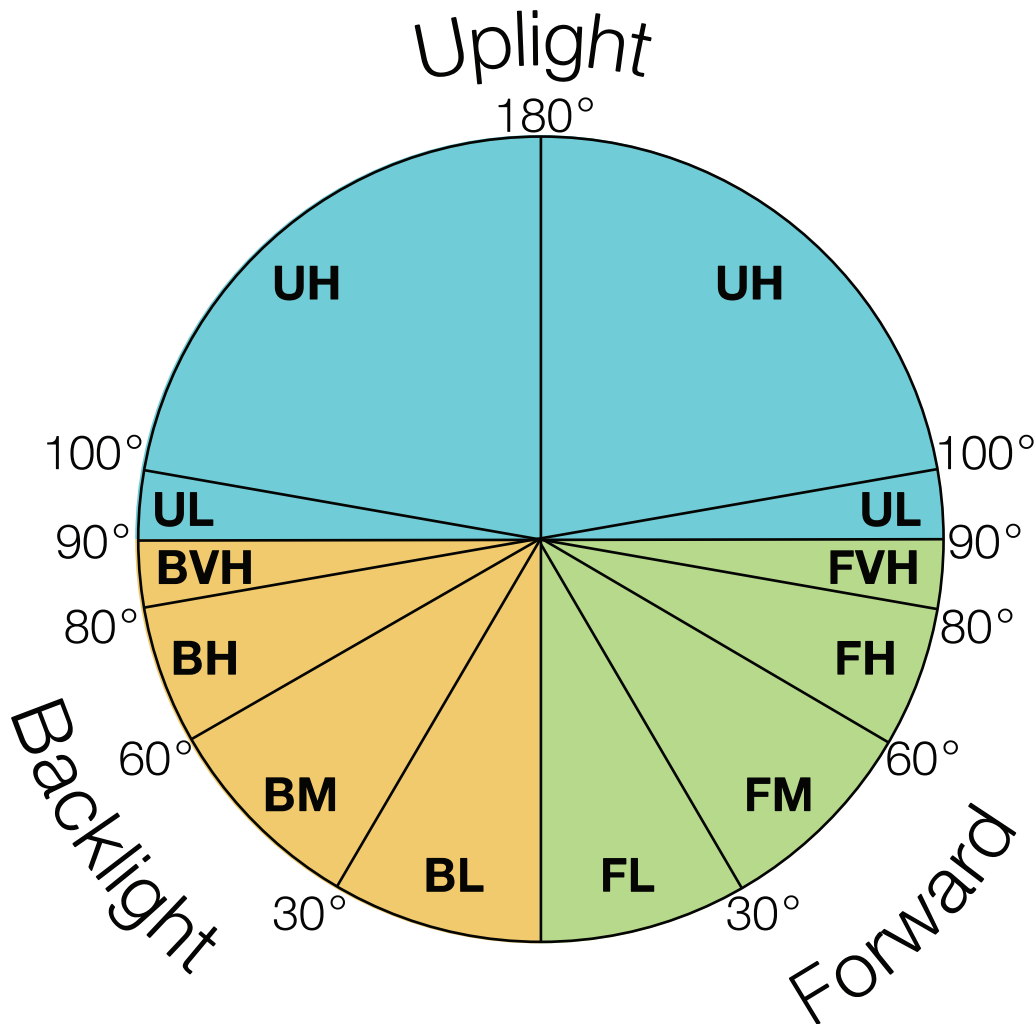
VSX-II - 3K Lumen Per Watt Data									
#LED's	mA	Type 1	Type 2	Type 3	Type 4	Type 4A	Type 5	Type 5W	Type 5WR
16	350	134	123	124	122	135	131	124	122
	530	125	115	115	113	125	122	115	113
	700	115	106	107	105	116	113	107	105
	1050	108	99	100	98	108	106	100	98
32	350	131	121	122	119	132	128	121	119
	530	125	115	116	114	126	123	116	114
	700	116	107	108	106	117	114	108	105
	1050	108	99	100	98	108	106	100	98
48	350	133	122	123	120	133	130	123	120
	530	125	115	116	114	126	123	116	114
	700	123	113	114	112	123	120	114	111
	1050	113	104	105	103	114	111	105	103
VSX-II - 4K Lumen Per Watt Data									
#LED's	mA	Type 1	Type 2	Type 3	Type 4	Type 4A	Type 5	Type 5W	Type 5WR
16	350	141	130	131	128	142	138	130	129
	530	131	121	122	119	132	128	121	120
	700	122	112	113	110	122	119	112	111
	1050	114	105	105	103	114	111	105	104
32	350	138	127	128	125	139	135	128	126
	530	132	121	122	120	132	129	122	121
	700	122	113	114	111	123	120	113	112
	1050	114	105	105	103	114	111	105	104
48	350	139	128	129	127	140	136	129	127
	530	132	121	122	120	132	129	122	121
	700	129	119	120	117	130	126	120	118
	1050	119	110	111	108	120	117	110	109
VSX-II - 5K Lumen Per Watt Data									
#LED's	mA	Type 1	Type 2	Type 3	Type 4	Type 4A	Type 5	Type 5W	Type 5WR
16	350	135	125	126	123	136	132	125	123
	530	126	116	117	114	126	123	116	114
	700	117	107	108	106	117	114	108	106
	1050	109	100	101	99	110	107	101	99
32	350	133	122	123	120	133	130	123	120
	530	127	117	117	115	127	124	117	115
	700	117	108	109	107	118	115	109	106
	1050	109	100	101	99	110	107	101	99
48	350	134	123	124	121	134	131	124	121
	530	127	117	117	115	127	124	117	115
	700	124	114	115	113	125	121	115	113
	1050	115	105	106	104	115	112	106	104

VSX-II LED Specifications

VSX-II - 3K BUG Data																									
#LED's	mA	Type 1			Type 2			Type 3			Type 4			Type 4A			Type 5			Type 5W			Type T5WR		
		B	U	G	B	U	G	B	U	G	B	U	G	B	U	G	B	U	G	B	U	G	B	U	G
16	350	1	0	1	1	0	1	0	0	1	1	0	1	1	0	1	1	0	1	2	0	1	2	0	1
	530	2	0	2	1	0	1	1	0	1	1	0	1	1	0	1	2	0	1	2	0	1	2	0	1
	700	2	0	2	1	0	2	1	0	1	1	0	1	1	0	1	2	0	1	2	0	1	3	0	1
	1050	3	0	3	1	0	2	1	0	1	1	0	2	1	0	1	3	0	1	3	0	1	3	0	1
32	350	2	0	2	1	0	2	1	0	1	1	0	1	1	0	1	2	0	1	3	0	1	3	0	1
	530	3	0	3	1	0	2	1	0	2	1	0	2	1	0	1	3	0	1	3	0	1	3	0	1
	700	3	0	3	2	0	3	1	0	2	2	0	2	1	0	1	3	0	1	3	0	2	3	0	2
	1050	3	0	3	2	0	3	2	0	2	2	0	2	2	0	1	3	0	2	4	0	2	4	0	2
48	350	3	0	3	2	0	2	1	0	2	1	0	2	1	0	1	3	0	1	3	0	1	3	0	2
	530	3	0	3	2	0	3	1	0	2	2	0	2	2	0	1	3	0	2	3	0	2	3	0	2
	700	3	0	3	2	0	3	2	0	2	2	0	3	2	0	2	3	0	2	4	0	2	4	0	2
	1050	4	0	4	3	0	3	2	0	3	3	0	3	2	0	2	4	0	2	4	0	2	4	0	2
VSX-II - 4K BUG Data																									
#LED's	mA	Type 1			Type 2			Type 3			Type 4			Type 4A			Type 5			Type 5W			Type T5WR		
		B	U	G	B	U	G	B	U	G	B	U	G	B	U	G	B	U	G	B	U	G	B	U	G
16	350	1	0	1	1	0	1	1	0	1	1	0	1	1	0	1	1	0	1	2	0	1	2	0	1
	530	2	0	2	1	0	1	1	0	1	1	0	1	1	0	1	2	0	1	2	0	1	2	0	1
	700	2	0	2	1	0	2	1	0	1	1	0	1	1	0	1	2	0	1	2	0	1	3	0	1
	1050	3	0	3	1	0	2	1	0	2	1	0	2	1	0	1	3	0	1	3	0	1	3	0	1
32	350	2	0	2	1	0	2	1	0	1	1	0	1	1	0	1	2	0	1	3	0	1	3	0	1
	530	3	0	3	2	0	2	1	0	2	1	0	2	1	0	1	3	0	1	3	0	1	3	0	1
	700	3	0	3	2	0	3	1	0	2	2	0	2	1	0	1	3	0	1	3	0	2	3	0	2
	1050	3	0	3	2	0	3	2	0	2	2	0	3	2	0	2	3	0	2	4	0	2	4	0	2
48	350	3	0	3	2	0	2	1	0	2	2	0	2	1	0	1	3	0	1	3	0	1	3	0	2
	530	3	0	3	2	0	3	1	0	2	2	0	2	2	0	1	3	0	2	3	0	2	4	0	2
	700	3	0	3	2	0	3	2	0	2	2	0	3	2	0	2	3	0	2	4	0	2	4	0	2
	1050	4	0	4	3	0	4	2	0	3	3	0	3	2	0	2	4	0	2	4	0	2	4	0	2
VSX-II - 5K BUG Data																									
#LED's	mA	Type 1			Type 2			Type 3			Type 4			Type 4A			Type 5			Type 5W			Type T5WR		
		B	U	G	B	U	G	B	U	G	B	U	G	B	U	G	B	U	G	B	U	G	B	U	G
16	350	1	0	1	1	0	1	1	0	1	1	0	1	1	0	1	1	0	1	2	0	1	2	0	1
	530	2	0	2	1	0	1	1	0	1	1	0	1	1	0	1	2	0	1	2	0	1	2	0	1
	700	2	0	2	1	0	2	1	0	1	1	0	1	1	0	1	2	0	1	2	0	1	3	0	1
	1050	3	0	3	1	0	2	1	0	1	1	0	2	1	0	1	3	0	1	3	0	1	3	0	1
32	350	2	0	2	1	0	2	1	0	1	1	0	1	1	0	1	2	0	1	3	0	1	3	0	1
	530	3	0	3	1	0	2	1	0	2	1	0	2	1	0	1	3	0	1	3	0	1	3	0	1
	700	3	0	3	2	0	3	1	0	2	2	0	2	1	0	1	3	0	1	3	0	2	3	0	2
	1050	3	0	3	2	0	3	2	0	2	2	0	2	2	0	1	3	0	2	4	0	2	4	0	2
48	350	3	0	3	2	0	2	1	0	2	1	0	2	1	0	1	3	0	1	3	0	1	3	0	2
	530	3	0	3	2	0	3	1	0	2	2	0	2	2	0	1	3	0	2	3	0	2	3	0	2
	700	3	0	3	2	0	3	2	0	2	2	0	3	2	0	2	3	0	2	4	0	2	4	0	2
	1050	4	0	4	3	0	3	2	0	3	3	0	3	2	0	2	4	0	2	4	0	2	4	0	2

Bug Rating -

The subzones are individually rated on a scale from 0 to 5, going from lowest to highest luminous flux. The highest rating of a subzone is considered the overall rating for that zone, and these readings are compiled into the BUG lighting classification: for example, B3 U1 G0. The tables below, which are based on the standards established by the IES, show the thresholds for each subzone.



VSX-II LED Specifications

VSX-II Cutoff Louver Shield - 3K Lumen Data *Not to be used with KM									
# of LEDs	Current (mA)	Type 1	Type 2	Type 3	Type 4	Type 4A	Type 5	Type 5W	Watts
16	350	2028	1866	1881	1841	2036	1983	1875	18
	530	2721	2504	2524	2470	2731	2660	2516	26
	700	3592	3305	3331	3260	3605	3512	3321	37
	1050	5085	4678	4716	4615	5103	4971	4701	56
32	350	4084	3758	3788	3707	4099	3993	3776	37
	530	5480	5042	5082	4974	5500	5357	5066	52
	700	7233	6655	6708	6565	7260	7071	6687	74
	1050	10170	9356	9432	9230	10207	9942	9402	112
48	350	6127	5637	5682	5561	6149	5989	5664	55
	530	8220	7563	7624	7461	8250	8036	7599	78
	700	10850	9982	10063	9848	10890	10607	10031	105
	1050	15254	14034	14147	13846	15310	14913	14102	160
VSX-II Cutoff Louver Shield - 4K Lumen Data *Not to be used with KM									
# of LEDs	Current (mA)	Type 1	Type 2	Type 3	Type 4	Type 4A	Type 5	Type 5W	Watts
16	350	2135	1964	1980	1938	2143	2087	1974	18
	530	2865	2636	2657	2600	2875	2800	2648	26
	700	3781	3479	3507	3432	3795	3696	3496	37
	1050	5352	4924	4964	4858	5372	5232	4948	56
32	350	4299	3956	3987	3902	4315	4203	3975	37
	530	5769	5307	5350	5236	5790	5639	5333	52
	700	7614	7005	7062	6911	7642	7443	7039	74
	1050	10705	9849	9928	9716	10744	10465	9896	112
48	350	6449	5933	5981	5854	6473	6305	5962	55
	530	8653	7961	8025	7854	8685	8459	7999	78
	700	11421	10508	10592	10366	11463	11165	10559	105
	1050	16057	14773	14892	14574	16116	15697	14845	160
VSX-II Cutoff Louver Shield - 5K Lumen Data *Not to be used with KM									
# of LEDs	Current (mA)	Type 1	Type 2	Type 3	Type 4	Type 4A	Type 5	Type 5W	Watts
16	350	2033	1871	1886	1846	2041	1988	1880	18
	530	2728	2510	2530	2476	2738	2667	2522	26
	700	3601	3313	3340	3269	3614	3520	3329	37
	1050	5098	4690	4728	4627	5116	4983	4713	56
32	350	4095	3767	3798	3717	4110	4003	3785	37
	530	5494	5054	5095	4987	5514	5371	5079	52
	700	7251	6671	6725	6582	7278	7089	6704	74
	1050	10195	9380	9455	9254	10232	9967	9425	112
48	350	6142	5651	5696	5575	6165	6004	5678	55
	530	8241	7582	7643	7480	8271	8056	7618	78
	700	10877	10007	10088	9873	10917	10633	10056	105
	1050	15293	14069	14183	13880	15349	14950	14138	160

VSX-II Cutoff Louver Shield - 3K Lumen Per Watt Data *Not to be used with KM									
# of LEDs	Current (mA)	Type 1	Type 2	Type 3	Type 4	Type 4A	Type 5	Type 5W	Watts
16	350	113	104	105	102	113	110	104	18
	530	105	96	97	95	105	102	97	26
	700	97	89	90	88	97	95	90	37
	1050	91	84	84	82	91	89	84	56
32	350	110	102	102	100	111	108	102	37
	530	105	97	98	96	106	103	97	52
	700	98	90	91	89	98	96	90	74
	1050	91	84	84	82	91	89	84	112
48	350	111	102	103	101	112	109	103	55
	530	105	97	98	96	106	103	97	78
	700	103	95	96	94	104	101	96	105
	1050	95	88	88	87	96	93	88	160
VSX-II Cutoff Louver Shield - 4K Lumen Per Watt Data *Not to be used with KM									
# of LEDs	Current (mA)	Type 1	Type 2	Type 3	Type 4	Type 4A	Type 5	Type 5W	Watts
16	350	119	109	110	108	119	116	110	18
	530	110	101	102	100	111	108	102	26
	700	102	94	95	93	103	100	94	37
	1050	96	88	89	87	96	93	88	56
32	350	116	107	108	105	117	114	107	37
	530	111	102	103	101	111	108	103	52
	700	103	95	95	93	103	101	95	74
	1050	96	88	89	87	96	93	88	112
48	350	117	108	109	106	118	115	108	55
	530	111	102	103	101	111	108	103	78
	700	109	100	101	99	109	106	101	105
	1050	100	92	93	91	101	98	93	160
VSX-II Cutoff Louver Shield - 5K Lumen Per Watt Data *Not to be used with KM									
# of LEDs	Current (mA)	Type 1	Type 2	Type 3	Type 4	Type 4A	Type 5	Type 5W	Watts
16	350	113	104	105	103	113	110	104	18
	530	105	97	97	95	105	103	97	26
	700	97	90	90	88	98	95	90	37
	1050	91	84	84	83	91	89	84	56
32	350	111	102	103	100	111	108	102	37
	530	106	97	98	96	106	103	98	52
	700	98	90	91	89	98	96	91	74
	1050	91	84	84	83	91	89	84	112
48	350	112	103	104	101	112	109	103	55
	530	106	97	98	96	106	103	98	78
	700	104	95	96	94	104	101	96	105
	1050	96	88	89	87	96	93	88	160

VSX-II LED Specifications

VSX-II Cutoff Louver Shield - 3K BUG Data *Not to be used with KM																										
# of LEDs	Current (mA)	Type 1			Type 2			Type 3			Type 4			Type 4A			Type 5			Type 5W			Type 5WR			Watts
		B	U	G	B	U	G	B	U	G	B	U	G	B	U	G	B	U	G	B	U	G	B	U	G	
16	350	1	0	1	0	0	1	1	0	1	1	0	1	0	0	1	1	0	1	1	0	1	1	0	1	18
	530	1	0	1	1	0	1	1	0	1	1	0	1	0	0	1	1	0	1	1	0	1	1	0	1	26
	700	1	0	1	1	0	2	1	0	1	1	0	1	1	0	1	1	0	1	1	0	1	1	0	1	37
	1050	2	0	2	1	0	2	1	0	2	1	0	2	1	0	2	1	0	1	2	0	2	2	0	2	56
32	350	1	0	2	1	0	2	1	0	1	1	0	2	1	0	1	1	0	1	1	0	1	1	0	1	37
	530	2	0	2	1	0	2	1	0	2	1	0	2	1	0	2	1	0	1	2	0	2	2	0	2	52
	700	2	0	2	1	0	2	1	0	2	1	0	2	1	0	2	2	0	1	2	0	2	2	0	2	74
	1050	3	0	3	2	0	3	2	0	3	2	0	3	1	0	2	2	0	2	3	0	2	3	0	3	112
48	350	2	0	2	1	0	2	1	0	2	1	0	2	1	0	2	1	0	1	2	0	2	2	0	2	55
	530	2	0	2	1	0	3	1	0	2	1	0	2	1	0	2	2	0	2	2	0	2	2	0	2	78
	700	3	0	3	2	0	3	2	0	3	2	0	3	1	0	2	2	0	2	3	0	2	3	0	3	105
	1050	3	0	3	2	0	3	2	0	3	2	0	3	2	0	3	3	0	2	3	0	3	3	0	3	160
VSX-II Cutoff Louver Shield - 4K BUG Data *Not to be used with KM																										
# of LEDs	Current (mA)	Type 1			Type 2			Type 3			Type 4			Type 4A			Type 5			Type 5W			Type 5WR			Watts
		B	U	G	B	U	G	B	U	G	B	U	G	B	U	G	B	U	G	B	U	G	B	U	G	
16	350	1	0	1	0	0	1	1	0	1	1	0	1	0	0	1	1	0	1	1	0	1	1	0	1	18
	530	1	0	1	1	0	1	1	0	1	1	0	1	1	0	1	1	0	1	1	0	1	1	0	1	26
	700	1	0	1	1	0	2	1	0	1	1	0	1	1	0	1	1	0	1	1	0	1	1	0	1	37
	1050	2	0	2	1	0	2	1	0	2	1	0	2	1	0	2	1	0	1	2	0	2	2	0	2	56
32	350	1	0	2	1	0	2	1	0	2	1	0	2	1	0	1	1	0	1	1	0	1	1	0	1	37
	530	2	0	2	1	0	2	1	0	2	1	0	2	1	0	2	1	0	1	2	0	2	2	0	2	52
	700	2	0	2	1	0	3	1	0	2	1	0	2	1	0	2	2	0	2	2	0	2	2	0	2	74
	1050	3	0	3	2	0	3	2	0	3	2	0	3	1	0	2	2	0	2	3	0	2	3	0	3	112
48	350	2	0	2	1	0	2	1	0	2	1	0	2	1	0	2	2	0	1	2	0	2	2	0	2	55
	530	2	0	3	1	0	3	2	0	2	1	0	2	1	0	2	2	0	2	2	0	2	2	0	2	78
	700	3	0	3	2	0	3	2	0	3	2	0	3	1	0	3	2	0	2	3	0	2	3	0	3	105
	1050	3	0	3	2	0	3	2	0	3	2	0	3	2	0	3	3	0	2	3	0	3	3	0	3	160
VSX-II Cutoff Louver Shield - 5K BUG Data *Not to be used with KM																										
# of LEDs	Current (mA)	Type 1			Type 2			Type 3			Type 4			Type 4A			Type 5			Type 5W			Type 5WR			Watts
		B	U	G	B	U	G	B	U	G	B	U	G	B	U	G	B	U	G	B	U	G	B	U	G	
16	350	1	0	1	0	0	1	1	0	1	1	0	1	0	0	1	1	0	1	1	0	1	1	0	1	18
	530	1	0	1	1	0	1	1	0	1	1	0	1	0	0	1	1	0	1	1	0	1	1	0	1	26
	700	1	0	1	1	0	2	1	0	1	1	0	1	1	0	1	1	0	1	1	0	1	1	0	1	37
	1050	2	0	2	1	0	2	1	0	2	1	0	2	1	0	2	1	0	1	2	0	2	2	0	2	56
32	350	1	0	2	1	0	2	1	0	1	1	0	2	1	0	1	1	0	1	1	0	1	1	0	1	37
	530	2	0	2	1	0	2	1	0	2	1	0	2	1	0	2	1	0	1	2	0	2	2	0	2	52
	700	2	0	2	1	0	2	1	0	2	1	0	2	1	0	2	2	0	1	2	0	2	2	0	2	74
	1050	3	0	3	2	0	3	2	0	3	2	0	3	1	0	2	2	0	2	3	0	2	3	0	3	112
48	350	2	0	2	1	0	2	1	0	2	1	0	2	1	0	2	1	0	1	2	0	2	2	0	2	55
	530	2	0	2	1	0	3	1	0	2	1	0	2	1	0	2	2	0	2	2	0	2	2	0	2	78
	700	3	0	3	2	0	3	2	0	3	2	0	3	1	0	2	2	0	2	3	0	2	3	0	3	105
	1050	3	0	3	2	0	3	2	0	3	2	0	3	2	0	3	3	0	2	3	0	3	3	0	3	160

Bug Rating -

The subzones are individually rated on a scale from 0 to 5, going from lowest to highest luminous flux. The highest rating of a subzone is considered the overall rating for that zone, and these readings are compiled into the BUG lighting classification: for example, B3 U1 G0. The tables below, which are based on the standards established by the IES, show the thresholds for each subzone.

