

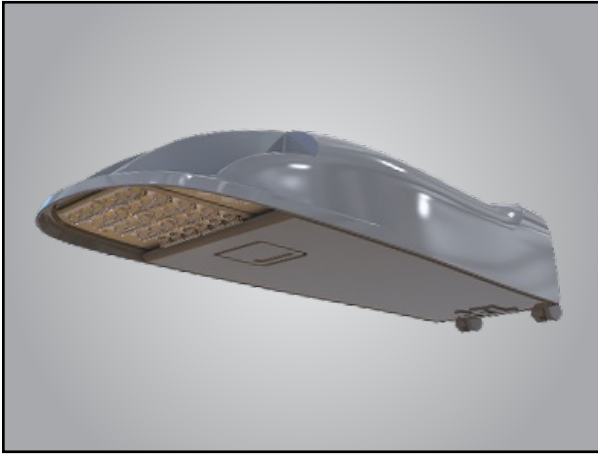


Consistent with LEED® goals & Green Globes™ criteria for light pollution reduction



# AutoConnect Series ACC Roadway Lighting

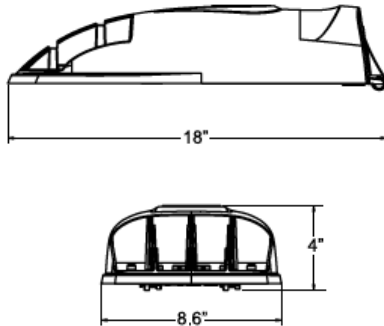
## PRODUCT OVERVIEW



## Applications:

- Roadways
- Off ramps
- Residential streets
- Parking lots

## DIMENSIONS



Effective Projected Area (EPA)  
The EPA for the ACC is 0.28 sq. ft.,  
Approx. Wt. = 8 lbs. (3.6 kg)

## STANDARDS

Rated for -40°C to 40°C ambient  
CSA Certified to U.S. and Canadian standards  
Complies with ANSI: C136.2, C136.10, C136.31, C136.15, C136.37

### Government Procurement

**BAA – Buy America(n) Act:** Product with the BAA option qualifies as a domestic end product under the Buy American Act as implemented in the FAR and DFARS. Product with the BAA option also qualifies as manufactured in the United States under DOT Buy America regulations.

**BABA – Build America Buy America:** Product with the BAA option also qualifies as produced in the United States under the definitions of the Build America, Buy America Act.

Please refer to [www.acuitybrands.com/resources/buy-american](http://www.acuitybrands.com/resources/buy-american) for additional information.

**Note:** Specifications subject to change without notice. Actual performance may differ as a result of end-user environment and application.

## Features:

### OPTICAL

AutoConnect utilizes the most advanced optical technology. Durable, precision optical control is obtained with new silicone materials that permit superior mold detail and denser LED population for a more visually comfortable appearance.

Silicone optics are superior to other polymeric materials in the areas of; optical efficiency, thermal performance, and reduction in dirt accumulation, all of which can lead to long term lumen degradation and a shift in optical distribution. Also, because silicone allows for the molding of fine details as well as thick sections, it produces the most crisp, clean and well-defined lighting distributions available.

Silicone optics paired with modern LED's allow the AutoConnect to take full advantage of both technologies.

Lighting Performance is comparable to 50-150W HPS roadway luminaires.

Correlated color temperature - 4000K, or optional 2700K, 3000K or 5000K, all 70 CRI minimum.

Unique IP66 rated LED light engines provided 0% uplight and restrict backlight to within sidewalk depth, providing optimal application coverage and optimal pole spacing.

Available in Type II, III, IV & V roadway distributions.

### ELECTRICAL

**Expected Life:** LED light engines are rated >100,000 hours at 25°C, L70. Electronic driver has an expected life of 100,000 hours at a 25°C ambient.

**Lower Energy:** Saves an expected of 40-60% over comparable HID luminaires.

**Robust Surge Protection:** Two different surge protection options provide a minimum of ANSI C136.2 10kV/5kA or 20kV/10kA protection.

Luminaire ships with a 0-10v dimmable driver or DALI D4i driver. Luminaire is continuous and step dimming capable via AO option or other installed controls.

### MECHANICAL

Includes standard AEL lineman-friendly features such as tool-less entry, 3 station terminal block and quick disconnects. Bubble level located inside the electrical compartment for easily leveling at installation.

Rigorous pre-treatment and paint process yields a finish that achieves a scribe creepage rating of 10 (per ASTM D1654) after 5000 hours exposure to salt fog chamber (operated per ASTM B117). The optional CR finish uses an anodized basecoat with a polyester topcoat to achieve a scribe creepage rating of 10 after 10,000 hours.

Mast arm mount is adjustable for arms from 1-1/4" to 2" (1-5/8" to 2-3/8" O.D.) diameter.

Provides a 3G vibration rating per ANSI C136.31

### CONTROLS

The Acuity designed ANSI 7-pin receptacle is available, which supports traditional locking style photocontrols such as the Extreme long-life solid-state locking style photocontrol - PCLL (20 year rated life).

Optional onboard Adjustable Output module allows the light output and input wattage to be modified to meet site specific requirements, and also can allow a single fixture to be flexibly applied in many different applications.

The DC Connect option is a factory embedded low voltage dusk to dawn photocontrol that increases longevity vs. line voltage controls and also eliminates the need to separately inventory controls.

Integral nLight rSDGR control is also available to provide local or network on/off/ dim control plus robust outdoor motion detection and response at up to 40' mounting heights.

The LocalConnect option provides a simple means to collect luminaire attribute data, asset location information and execute point-to-point on/off/dim commands via secure Bluetooth link using smartphone platforms.

The GlobalConnect option enabled thru selection of receptacles and controls provides a smart city enabled solution utilizing long range network nodes to enable remote monitoring and control. Additionally, it can be equipped with sensor-ready technology to support Zhaga standard sensors.

Cell Connect is an embedded network photocontrol with cellular communication. It provides digital switching, precise dimming, and revenue grade metrology. Cell Connect leverage D4i drivers to communicate real-time data to UbiVu, a cloud-based asset management system.

# AutoConnect Series ACC Roadway Lighting

## ORDERING INFORMATION

Series	Performance Packages				Voltage	Fixture Driver	Optics	
<b>ACC</b> AutoConnect Compact LED Roadway	<b>P151</b>	2400 lumens, 15 watts	<b>P303</b>	4600 Lumens, 29 watts	<b>MVOLT</b>	120-277V	<b>ZT</b>	0V to 10V DRIVER
	<b>P152</b>	3200 Lumens, 21 watts	<b>P304</b>	6100 Lumens, 40 watts	<b>XVOLT277</b>	277V	<b>D4i</b>	D4i DRIVER
	<b>P153</b>	3900 Lumens, 26 watts	<b>P305</b>	7300 Lumens, 49 watts	<b>XVOLT347</b>	347V		
	<b>P301</b>	2800 Lumens, 17 watts	<b>P306</b>	8400 Lumens, 59 watts	<b>XVOLT480</b>	480V		
	<b>P302</b>	3800 Lumens, 23 watts	<b>P307</b>	9400 Lumens, 69 watts			<b>R2</b>	Roadway Type II
							<b>R3</b>	Roadway Type III
							<b>R4</b>	Roadway Type IV
							<b>R5</b>	Roadway Type V

### Color Temperature (CCT)

<b>27K</b>	2700K Color Temperature
<b>3K</b>	3000K Color Temperature
<b>4K</b>	4000K Color Temperature
<b>5K</b>	5000K Color Temperature

### Paint

<b>GY</b>	Gray, 5K hr salt spray
<b>BK</b>	Black, 5K hr salt spray
<b>WH</b>	White, 5K hr salt spray
<b>BZ</b>	Bronze, 5K hr salt spray
<b>GN</b>	Green, 5K hr salt spray
<b>GYCR</b>	Gray, 10k hour salt spray
<b>BKCR</b>	Black, 10k hour salt spray
<b>WHCR</b>	White, 10k hour salt spray
<b>BZCR</b>	Bronze, 10k hour salt spray
<b>GNCR</b>	Green, 10k hour salt spray

### Surge Protection

<b>20K</b>	Acuity SPD-20kV/10kA (IP65, with IL)
<b>MP</b>	MOV Pack (TR parallel devices)

### Receptacle Top

<b>NTR</b>	No top receptacle
<b>P7</b>	7-pin photocontrol receptacle
<b>ZRT</b>	Zhaga receptacle on top of fixture

### Receptacle Bottom

<b>NBR</b>	No bottom receptacle
<b>ZRB</b>	Zhaga receptacle on bottom of fixture

### Optional Selections

#### Misc.

<b>BL</b>	External Bubble Level
<b>XL</b>	Not Certified - No Terminal Block Cover
<b>HS</b>	House Side Shield
<b>NL</b>	NEMA Label Indicating Wattage
<b>HITEMP</b>	50C Ambient Temperature Rated
<b>BAA</b>	Buy America(n) Act and/or Build America Buy America Qualified

#### Packaging

<b>(Blank)</b>	Single Unit (Standard)
<b>JP</b>	Job Pack (84/pallet)

#### Controls

<b>AO</b>	Adjustable Output Module
<b>PCLL</b>	DTL DLL 120-480V Photocontrol
<b>SH</b>	Shorting Cap Requires P7
<b>DDC</b>	DC Connect photocontrol Requires D4i driver, NTR & NBR
<b>ALCB</b>	Local Connect Basic Requires D4i driver & NBR
<b>ALCF</b>	Local Connect Full Requires D4i driver & NBR
<b>ALCC</b>	Local Connect Custom Requires D4i driver & NBR
<b>RSDGR</b>	nLight Motion Sensor Requires ZT driver, NTR & NBR
<b>UBC</b>	Cellular Network Lighting Control Requires D4i driver & NTR

### Accessories: House side shields for field installation

<b>ACC23HSS</b>	House Side Shield for Field Installation for R2 & R3 Optics
<b>ACC45HSS</b>	House Side Shield for Field Installation for R4 & R5 Optics
<b>ACCLRITS</b>	Left/Right Side Light Trespass Shield for Field Installation
<b>ACCHSSSLTS</b>	House Side/Street Side Light trespass shield for field installation
<b>ACCCDSLTS</b>	Cul-de-sac light trespass shield for field installation

### Arm Accessories

<b>UMR-XX</b>	8" Horizontal Arm for Round Pole, Painted to match Fixture
<b>UMS-XX</b>	8" Horizontal Arm for Square Pole, Painted to match Fixture
<b>UMR-GALV</b>	8" Horizontal Arm for Round Pole Galvanized
<b>UMS-GALV</b>	8" Horizontal Arm for Square Pole, Galvanized
<u>ATC Decorative Arms:</u>	
<b>ATBODECOS XX</b>	Decorative Arm for Square Pole. Painted to match fixture
<b>ATBODECOR XX</b>	Decorative Arm for Round Pole. Painted to match fixture

### Controls Training

<b>LCTRAIN</b>	Local Connect Remote Training; 1 day training provided by Acuity Services Team
----------------	--



# AutoConnect Series ACC Roadway Lighting

## Options Matrix

ACC		Controls										Receptacle Top			Receptacle Bottom		Driver	Other
		AO	PCLL	SH	DDC	ALCB	ALCF	ALCC	RSDGR	UBC	NTR	P7	ZRT	NBR	ZRB	ZT	D4I	BL
Controls	AO		Y	Y	N	N	N	N	N	N	Y	Y	Y	N	Y	N	Y	
	PCLL	Y		N	N	Y	Y	Y	N	N	N	Y	N	Y	Y	Y	Y	
	SH	Y	N		N	Y	Y	Y	N	N	N	Y	N	Y	Y	Y	Y	
	DDC	N	N	N		N	N	N	N	N	Y	N	N	Y	N	N	Y	
	ALCB	N	Y	Y	N		N	N	N	N	Y	Y	Y	Y	N	N	Y	
	ALCF	N	Y	Y	N	N		N	N	N	Y	Y	Y	Y	N	N	Y	
	ALCC	N	Y	Y	N	N	N		N	N	Y	Y	Y	Y	N	N	Y	
Receptacle Top	RSDGR	N	N	N	N	N	N	N		N	N	Y	N	N	Y	N	N	
	UBC	N	N	N	N	N	N	N	N		N	Y	N	Y	N	Y	Y	
	NTR	Y	N	N	Y	Y	Y	Y	Y	Y				Y	Y	Y	Y	
Receptacle Bottom	P7	Y	Y	Y	N	Y	Y	Y	N	N				Y	Y	Y	Y	
	ZRT	N	N	N	N	Y	Y	Y	N	N				Y	Y	N	Y	
Driver	NBR	Y	Y	Y	Y	Y	Y	Y	Y	Y	Y	Y	Y			Y	Y	
	ZRB	N	Y	Y	N	N	N	N	N	Y	Y	Y	Y			N	Y	
Driver	ZT	Y	Y	Y	N	N	N	N	Y	N	Y	Y	N	Y			Y	
	D4I	N	Y	Y	Y	Y	Y	Y	N	Y	Y	Y	Y	Y			Y	

## Performance Package / Controls Matrix

ACC		Driver		Controls							MISC	
		ZT	D4I	DDC	ALCB	ALCF	ALCC	UBC	AO	RSDGR	HITEMP	
P151	MVOLT	Y	N	N	N	N	N	N	N	Y	Y	Y
	XVOLT277	N	N	N	N	N	N	N	N	N	N	Y
	XVOLT347	N	N	N	N	N	N	N	N	N	N	Y
P152	MVOLT	Y	N	N	N	N	N	N	N	Y	Y	Y
	XVOLT277	N	N	N	N	N	N	N	N	N	N	Y
	XVOLT347	N	N	N	N	N	N	N	N	N	N	Y
P153	MVOLT	Y	Y	Y	Y	Y	Y	Y	Y	Y	Y	Y
	XVOLT277	N	N	N	N	N	N	N	N	N	N	Y
	XVOLT347	N	N	N	N	N	N	N	N	N	N	Y
P301	MVOLT	Y	N	N	N	N	N	N	N	Y	Y	Y
	XVOLT277	N	N	N	N	N	N	N	N	N	N	Y
	XVOLT347	N	N	N	N	N	N	N	N	N	N	Y
P302	MVOLT	Y	N	N	N	N	N	N	N	Y	Y	Y
	XVOLT277	N	N	N	N	N	N	N	N	N	N	Y
	XVOLT347	N	N	N	N	N	N	N	N	N	N	Y
P303	MVOLT	Y	Y	Y	Y	Y	Y	Y	Y	Y	Y	Y
	XVOLT277	Y	N	N	N	N	N	N	N	Y	Y	Y
	XVOLT347	Y	N	N	N	N	N	N	N	Y	Y	Y
P304	MVOLT	Y	Y	Y	Y	Y	Y	Y	Y	Y	Y	Y
	XVOLT277	Y	N	N	N	N	N	N	N	Y	Y	Y
	XVOLT347	Y	N	N	N	N	N	N	N	Y	Y	Y
P305	MVOLT	Y	Y	Y	Y	Y	Y	Y	Y	Y	Y	Y
	XVOLT277	Y	N	N	N	N	N	N	N	Y	Y	Y
	XVOLT347	Y	N	N	N	N	N	N	N	Y	Y	Y
P306	MVOLT	Y	Y	Y	Y	Y	Y	Y	Y	Y	Y	Y
	XVOLT277	Y	N	N	N	N	N	N	N	Y	Y	Y
	XVOLT347	Y	N	N	N	N	N	N	N	Y	Y	Y
P307	MVOLT	Y	Y	Y	Y	Y	Y	Y	Y	Y	Y	N
	XVOLT277	Y	N	N	N	N	N	N	N	Y	Y	N
	XVOLT347	Y	N	N	N	N	N	N	N	Y	Y	N

Y = Option combination is allowed  
N = Option combination is not allowed

### D4i Driver Option Defaults

Setting	Receptacle Top	Receptacle Bottom	Embedded Control	Default Value	Alternate Values
DALI Power Bus	NTR	NBR	none	ON	Off
	NTR	NBR	ALCB / ALCF / ALCC	ON	none
	NTR	NBR	DDC	ON	none
	NTR	ZRB	none	ON	Off
	NTR	NBR	UBC	ON	none
	NTR	ZRB	UBC	ON	none
	P7	NBR	none	OFF	On
	P7	NBR	ALCB / ALCF / ALCC	ON	none
	P7	NBR	DDC	ON	none
	P7	ZRB	none	OFF	On
	ZRT	NBR	none	ON	Off
	ZRT	NBR	ALCB / ALCF / ALCC	ON	none
Dimming Type	All	All	Any	LINEAR	Logarithmic
	All	All	Any	ON (Not Connected)	none
Scenes Data	All	All	Any	0 (blank)	01-255

\*To program different settings, consult factory; RFD is required



AEL Headquarters, One Lithonia Way, Conyers Georgia 30012  
www.americanelectriclighting.com Phone: 1-866-HOLOPHANE  
Email: TechSupportINF@AcuityBrands.com  
© 2023-2024 Acuity Brands Lighting, Inc. All Rights Reserved. ACC Rev. 07/15/24

**Warranty** Five-year limited warranty. This is the only warranty provided and no other statements in this specification sheet create any warranty of any kind. All other express and implied warranties are disclaimed. Complete warranty terms located at: [www.acuitybrands.com/support/warranty/terms-and-conditions](http://www.acuitybrands.com/support/warranty/terms-and-conditions)

**Note:** Actual performance may differ as a result of end-user environment and application. All values are design or typical values, measured under laboratory conditions at 25 °C. Specifications subject to change without notice.

Please contact your sales representative for the latest product information.

# AutoConnect Series ACC

## Roadway Lighting

### PERFORMANCE PACKAGE

ACC Compact	Distribution	Input Watts	2700K		3000K		4000K/5000K		LLD @ 25°C		
			Lumens	LPW	Lumens	LPW	Lumens	LPW	50k Hours	75k Hours	100k Hours
P151	R2	15	2,207	147	2,283	152	2,442	163	0.92	0.89	0.86
	R3		2,252	150	2,311	154	2,491	166			
	R4		2,224	148	2,275	152	2,460	164			
	R5		2,264	151	2,380	159	2,505	167			
P152	R2	21	2,881	137	3,000	143	3,187	152	0.92	0.89	0.86
	R3		2,939	140	3,009	143	3,251	155			
	R4		2,885	137	2,993	143	3,191	152			
	R5		2,953	141	3,109	148	3,267	156			
P153	R2	26	3,491	134	3,600	138	3,862	149	0.92	0.89	0.86
	R3		3,495	134	3,653	140	3,866	149			
	R4		3,446	133	3,547	136	3,812	147			
	R5		3,516	135	3,693	142	3,890	150			
P301	R2	17	2,530	149	2,676	157	2,799	165	0.92	0.89	0.86
	R3		2,558	150	2,650	156	2,830	166			
	R4		2,529	149	2,659	156	2,797	165			
	R5		2,605	153	2,735	161	2,882	170			
P302	R2	23	3,456	150	3,617	157	3,823	166	0.92	0.89	0.86
	R3		3,498	152	3,637	158	3,870	168			
	R4		3,438	149	3,576	155	3,803	165			
	R5		3,533	154	3,713	161	3,908	170			
P303	R2	29	4,147	143	4,351	150	4,588	158	0.92	0.89	0.86
	R3		4,198	145	4,299	148	4,645	160			
	R4		4,152	143	4,315	149	4,593	158			
	R5		4,254	147	4,504	155	4,706	162			
P304	R2	40	5,519	138	5,858	146	6,106	153	0.92	0.89	0.86
	R3		5,646	141	5,773	144	6,247	156			
	R4		5,549	139	5,739	143	6,139	153			
	R5		5,705	143	6,058	151	6,312	158			
P305	R2	49	6,567	134	6,987	143	7,265	148	0.92	0.89	0.86
	R3		6,708	137	6,990	143	7,421	151			
	R4		6,611	135	6,882	140	7,313	149			
	R5		6,833	139	7,248	148	7,560	154			
P306	R2	59	7,548	128	8,000	136	8,350	142	0.92	0.89	0.86
	R3		7,712	131	7,980	135	8,532	145			
	R4		7,593	129	7,919	134	8,400	142			
	R5		7,882	134	8,272	140	8,720	148			
P307	R2	69	8,491	123	9,040	131	9,394	136	0.92	0.89	0.86
	R3		8,619	125	8,915	129	9,535	138			
	R4		8,535	124	9,075	132	9,443	137			
	R5		8,726	126	8,953	130	9,654	140			

**Note:** Specifications subject to change without notice.

LLD Multiplier	15C	20C	25C	30C	35C	40C
	1.02	1.01	1.00	0.99	0.98	0.97

To calculate the LLD for a temperature other than 25°C, multiply the LLD @ 25°C (shown in the performance package table) by the LLD multiplier for the selected temperature.



**Warranty** Five-year limited warranty. This is the only warranty provided and no other statements in this specification sheet create any warranty of any kind. All other express and implied warranties are disclaimed. Complete warranty terms located at: [www.acuitybrands.com/support/warranty/terms-and-conditions](http://www.acuitybrands.com/support/warranty/terms-and-conditions)

**Note:** Actual performance may differ as a result of end-user environment and application. All values are design or typical values, measured under laboratory conditions at 25 °C. Specifications subject to change without notice.

*Please contact your sales representative for the latest product information.*

# AutoConnect Series ACC

## Roadway Lighting

### B.U.G. Ratings

ACC Compact	Distribution	2700K			3000K			4000/5000K		
		B	U	G	B	U	G	B	U	G
P151	R2	1	0	1	1	0	1	1	0	1
	R3	1	0	1	1	0	1	1	0	1
	R4	1	0	2	1	0	2	1	0	2
	R5	2	0	2	2	0	2	2	0	2
P152	R2	1	0	1	1	0	1	1	0	1
	R3	1	0	1	1	0	1	1	0	1
	R4	1	0	2	1	0	2	1	0	2
	R5	2	0	2	2	0	2	2	0	2
P153	R2	1	0	1	1	0	1	1	0	1
	R3	1	0	1	1	0	1	1	0	1
	R4	1	0	2	1	0	2	1	0	2
	R5	2	0	2	2	0	2	3	0	3
P301	R2	1	0	1	1	0	1	1	0	1
	R3	1	0	1	1	0	1	1	0	1
	R4	1	0	1	1	0	1	1	0	2
	R5	2	0	1	2	0	1	2	0	2
P302	R2	1	0	1	1	0	1	1	0	1
	R3	1	0	1	1	0	1	1	0	1
	R4	1	0	2	1	0	2	1	0	2
	R5	2	0	2	2	0	1	3	0	1
P303	R2	1	0	1	1	0	1	1	0	1
	R3	1	0	1	1	0	1	1	0	1
	R4	1	0	2	1	0	2	1	0	2
	R5	3	0	3	3	0	3	3	0	3
P304	R2	1	0	1	1	0	1	2	0	2
	R3	1	0	1	1	0	1	1	0	1
	R4	1	0	2	1	0	2	1	0	2
	R5	3	0	3	3	0	3	3	0	3
P305	R2	2	0	2	2	0	2	2	0	2
	R3	1	0	2	1	0	2	1	0	2
	R4	1	0	3	1	0	3	2	0	3
	R5	3	0	3	3	0	3	3	0	3
P306	R2	2	0	2	2	0	2	2	0	2
	R3	2	0	2	2	0	2	2	0	2
	R4	2	0	3	2	0	3	2	0	3
	R5	3	0	3	3	0	3	3	0	3
P307	R2	2	0	2	2	0	2	2	0	2
	R3	2	0	2	2	0	2	2	0	2
	R4	2	0	3	2	0	3	2	0	3
	R5	3	0	3	3	0	3	4	0	4



**Warranty** Five-year limited warranty. This is the only warranty provided and no other statements in this specification sheet create any warranty of any kind. All other express and implied warranties are disclaimed. Complete warranty terms located at: [www.acuitybrands.com/support/warranty/terms-and-conditions](http://www.acuitybrands.com/support/warranty/terms-and-conditions)

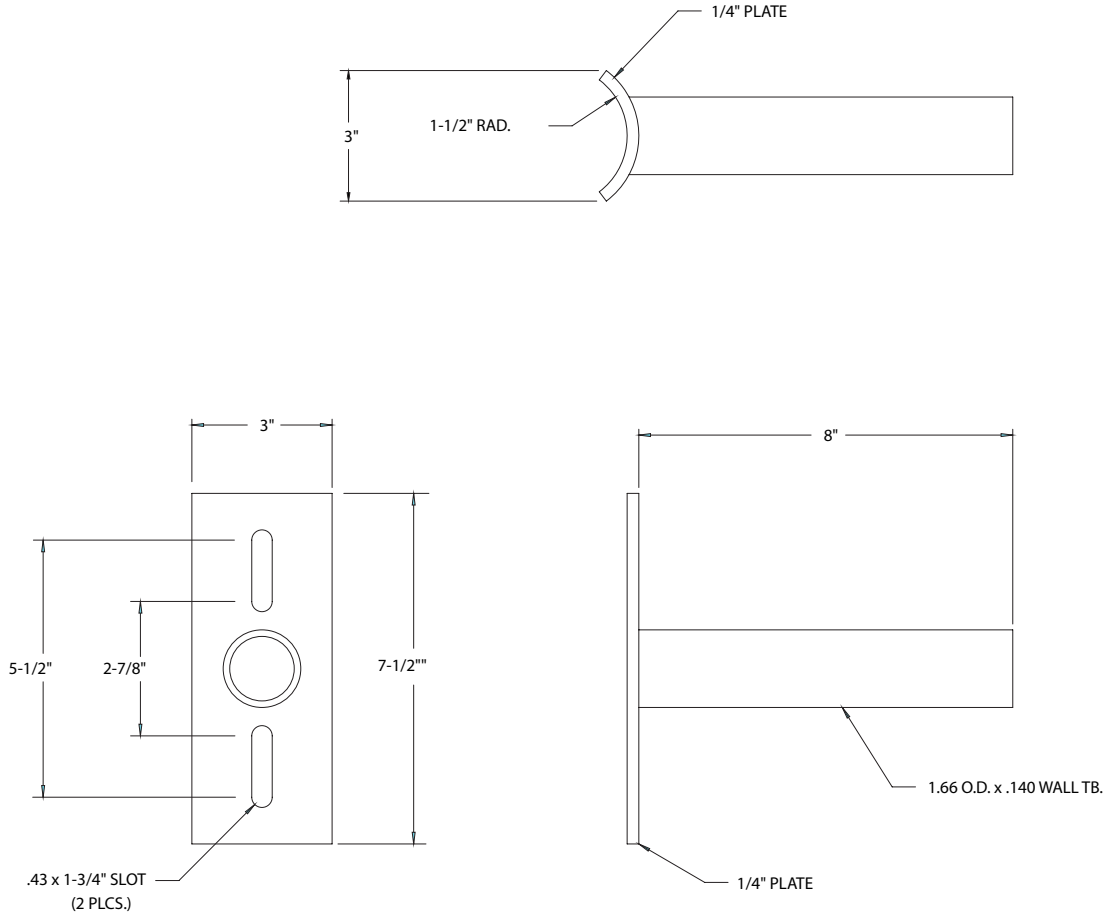
**Note:** Actual performance may differ as a result of end-user environment and application. All values are design or typical values, measured under laboratory conditions at 25 °C. Specifications subject to change without notice.

*Please contact your sales representative for the latest product information.*

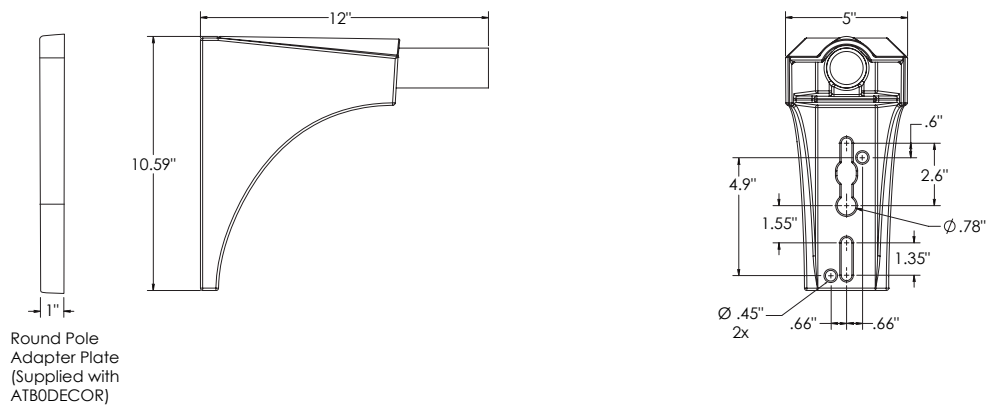
# AutoConnect Series ACC Roadway Lighting

## UMR POLE ADAPTOR

RECOMMENDED FOR USE WITH POLES OF 4" DIAMETER OR SMALLER



## UMS POLE ADAPTOR



**Warranty** Five-year limited warranty. This is the only warranty provided and no other statements in this specification sheet create any warranty of any kind. All other express and implied warranties are disclaimed. Complete warranty terms located at: [www.acuitybrands.com/support/warranty/terms-and-conditions](http://www.acuitybrands.com/support/warranty/terms-and-conditions)

**Note:** Actual performance may differ as a result of end-user environment and application. All values are design or typical values, measured under laboratory conditions at 25 °C. Specifications subject to change without notice.

**Please contact your sales representative for the latest product information.**



AEL Headquarters, One Lithonia Way, Conyers Georgia 30012  
www.americanelectricalighting.com Phone: 1-866-HOLOPHANE  
Email: TechSupportINF@AcuityBrands.com  
© 2023-2024 Acuity Brands Lighting, Inc. All Rights Reserved. ACC Rev. 07/15/24