

Scale: 1 inch= 50 Ft.



Prepared For:  
 Holbrook Associated  
 35 Reservoir Park Drive  
 Rockland, MA 02370  
 Tel: 781-871-0011

Job Name:  
 Coddington Cove  
 Middletown, RI  
 Lighting Layout  
 Version B

Scale: as noted  
 Date: 7/17/2024  
 PROJECT #: 234122  
 CASE #: 01389218  
 Filename: Coddington Cove 01389218B.AGI  
 Drawn By: CJ Vilmont

The Lighting Analysis, ELayout, Energy Analysis and/or Visual Simulation ("Lighting Design") provided by RAB Lighting Inc. ("RAB") represents an anticipated prediction of lighting system performance based upon design parameters and information supplied by others. These design parameters and information provided by others have not been field verified by RAB and therefore actual measured results may vary from the actual field conditions. RAB recommends that design parameters and other information be field verified to reduce variation.





RAB does not warranty, either implied or stated, actual measured light levels or energy consumption levels as compared to those illustrated by the Lighting Design.

RAB does not warranty, either implied or stated, nor represents the appropriateness, completeness or suitability of the Lighting Design as compliant with any applicable regulatory code requirements with the exception of those expressly stated on drawings created and submitted by RAB. The Lighting Design is issued, in whole or in part, as advisory documents for informational and convenience purposes only, is not intended for construction nor as a part of a project's construction documentation package, and should not be relied upon for any purpose.

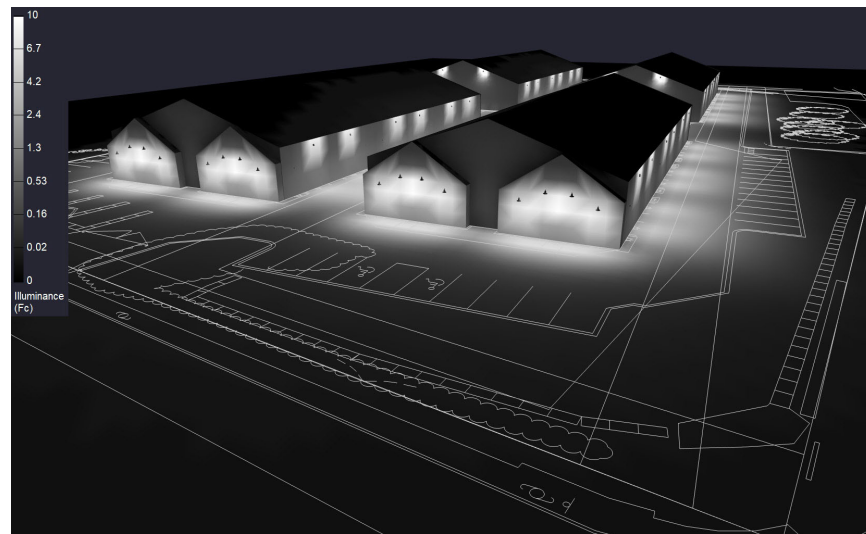
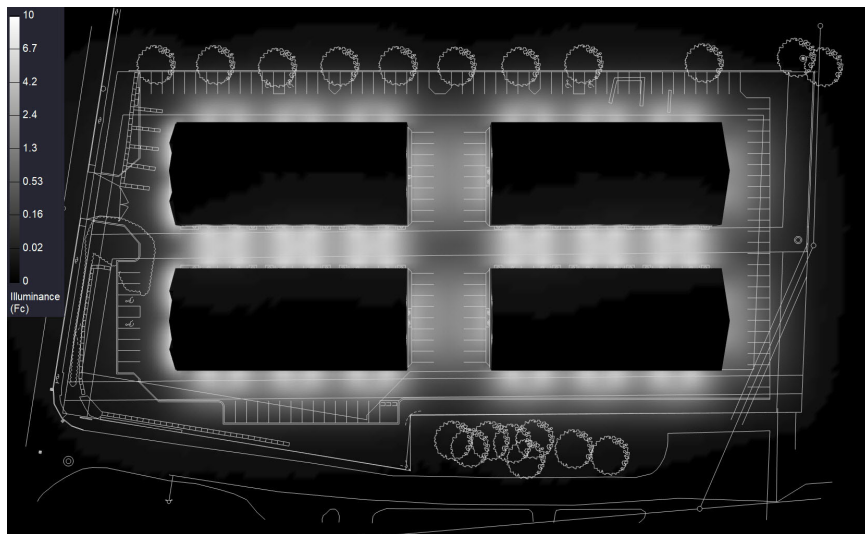
Immediately prior to any party ordering RAB products used in the Lighting Design, the ordering party must verify that the lumen output of the fixtures being ordered (as shown on RAB's website) match the lumen output shown in the Lighting Design. Occasionally, Lighting Designs previously provided use fixtures that are then updated prior to an order and such updates could change the lumen output of the fixture. This in turn, could impact the installed lighting performance that differs from the Lighting Design.

Filename: C:\Users\christy.vilmont\OneDrive - RAB Lighting\Desktop\WIP\07.2024\Coddington Cove\Working Files\AGI\Coddington Cove 01389218B.AGI

Calculation Summary											
Label	CalcType	Units	Avg	Max	Min	Avg/Min	Max/Min	Description	PtSpcLr	PtSpcTb	Meter Type
East Property Line	Illuminance	Fc	0.00	0.0	0.0	N.A.	N.A.	Readings taken at 0'-0" AFG	10	N.A.	Horizontal
North Property Line	Illuminance	Fc	0.00	0.0	0.0	N.A.	N.A.	Readings taken at 0'-0" AFG	10	N.A.	Horizontal
Parking Lot	Illuminance	Fc	1.59	5.9	0.0	N.A.	N.A.	Readings taken at 0'-0" AFG	10	10	Horizontal
South Property Line	Illuminance	Fc	0.00	0.0	0.0	N.A.	N.A.	Readings taken at 0'-0" AFG	10	N.A.	Horizontal
West Property Line	Illuminance	Fc	0.06	0.2	0.0	N.A.	N.A.	Readings taken at 0'-0" AFG	10	N.A.	Horizontal

Luminaire Schedule													
Symbol	Qty	Tag	Label	Arrangement	Lum. Lumens	Arr. Lum. Lumens	LLF	Description	Lum. Watts	Arr. Watts	Total Watts	BUG Rating	
	57	A	WPLED5Y	Single	128	128	1.000	Wall mount	5.3	5.3	302.1	B0-U1-G0	
	12	B-12W	SLIM @ 12W - 3000K	Single	2006	2006	1.000	Wall mount	15	15	180	B1-U0-G0	
	48	B-18W	SLIM @ 18W - 3000K	Single	2695	2695	1.000	Wall mount	20.9	20.9	1003.2	B1-U0-G0	
	16	C	GN5LED26YSTW	Single	1348	1348	1.000	Wall mount	28.9	28.9	462.4	B1-U1-G0	

Luminaire Tag Summary	
Tag	Qty
A	57
B-12W	12
B-18W	48
C	16



**NOTES:**

\* The light loss factor (LLF) is a product of many variables. RAB's standard is to use the initial 1.0 LLF in accordance with most municipal lighting ordinance light trespass requirements, unless otherwise noted.

\* Illumination values shown (in footcandles) are the predicted results for planes of calculation either horizontal, vertical or inclined as designated in the calculation summary. Meter orientation is normal to the plane of calculation.

\* The calculated results of this lighting simulation represent an anticipated prediction of system performance. Actual measured results may vary from the anticipated performance and are subject to means and methods which are beyond the control of RAB Lighting Inc.

\* Mounting height determination is job site specific, our lighting simulations assume a mounting height (insertion point of the luminaire symbol) to be taken at the top of the symbol for ceiling mounted luminaires and at the bottom of the symbol for all other luminaire mounting configurations.

\* RAB disclaims all responsibility for the suitability of existing or proposed poles and bases to support proposed fixtures. This is the owner's, installer's and/or end-user's responsibility based on the weight and effective projected area ("EPA") of the proposed fixtures and the owner's site and soil conditions, wind zone, and many other factors. A professional engineer licensed to practice in the state the site is located should be engaged to assist in this determination.

\* The landscape material shown hereon is conceptual and is not intended to be an accurate representation of any particular plant, shrub, bush, or tree, as these materials are living objects, and subject to constant change. The conceptual objects shown are for illustrative purposes only. The actual illumination values measured in the field will vary.

\* Photometric model elements such as buildings, rooms, plants, furnishings or any architectural details which impact the dispersion of light must be detailed by the customer documents for inclusion in the RAB Lighting Design. The owner/contractor/customer/end-user must provide accurate and complete construction drawings that reflect what will be the final construction RAB is not responsible for any inaccuracies caused by incomplete, inaccurate, or outdated information provided by the owner/contractor/customer/end-user.

\* RAB Lighting Inc. luminaire and product designs are protected under U.S. and International intellectual property laws. Patents issued or pending may apply. Please see [www.rablighting.com/ip](http://www.rablighting.com/ip).

\* The Lighting Analysis, EZLayout, Energy Analysis and/or Visual Simulation ("Lighting Design") provided by RAB Lighting Inc. ("RAB") represents an anticipated prediction of lighting system performance based upon design parameters and information supplied by others. These design parameters and information provided by others have not been field verified by RAB and therefore actual measured results may vary from the actual field conditions. RAB recommends that design parameters and other information be field verified to reduce variation.

\* RAB does not warranty, either implied or stated, actual measured light levels or energy consumption levels as compared to those illustrated by the Lighting Design.

\* RAB does not warranty, either implied or stated, nor represents the appropriateness, completeness or suitability of the Lighting Design as compliant with any applicable regulatory code requirements with the exception of those expressly stated on drawings created and submitted by RAB. The Lighting Design is issued, in whole or in part, as advisory documents for informational and convenience purposes only, is not intended for construction nor as a part of a project's construction documentation package and should not be relied upon for any purpose.

\* Immediately prior to any party ordering RAB products used in the Lighting Design, the ordering party must verify that the lumen output of the fixtures being ordered (as shown on RAB's website) match the lumen output shown in the Lighting Design. Occasionally, Lighting Designs previously provided use fixtures that are then updated prior to an order and such updates could change the lumen output of the fixture. This in turn, could impact the installed lighting performance that differs from the Lighting Design.



Prepared For:  
Holbrook Associated  
35 Reservoir Park Drive  
Rockland, MA 02370  
Tel: 781-871-0011

Job Name:  
Coddington Cove  
Middletown, RI

Lighting Layout  
Version B

Scale: as noted PROJECT #: 234122

Date: 7/17/2024 CASE #: 01389218

Filename: Coddington Cove 01389218B.AGI

Drawn By: CJ Vilmont

The Lighting Analysis, EZLayout, Energy Analysis and/or Visual Simulation ("Lighting Design") provided by RAB Lighting Inc. ("RAB") represents an anticipated prediction of lighting system performance based upon design parameters and information supplied by others. These design parameters and information provided by others have not been field verified by RAB and therefore actual measured results may vary from the actual field conditions. RAB recommends that design parameters and other information be field verified to reduce variation.

RAB does not warranty, either implied or stated, actual measured light levels or energy consumption levels as compared to those illustrated by the Lighting Design.

RAB does not warranty, either implied or stated, nor represents the appropriateness, completeness or suitability of the Lighting Design as compliant with any applicable regulatory code requirements with the exception of those expressly stated on drawings created and submitted by RAB. The Lighting Design is issued, in whole or in part, as advisory documents for informational and convenience purposes only, is not intended for construction nor as a part of a project's construction documentation package, and should not be relied upon for any purpose.

Immediately prior to any party ordering RAB products used in the Lighting Design, the ordering party must verify that the lumen output of the fixtures being ordered (as shown on RAB's website) match the lumen output shown in the Lighting Design. Occasionally, Lighting Designs previously provided use fixtures that are then updated prior to an order and such updates could change the lumen output of the fixture. This in turn, could impact the installed lighting performance that differs from the Lighting Design.

Filename: C:\Users\christy.vilmont\OneDrive - RAB Lighting\Desktop\WIP\07.2024\Coddington Cove\Working Files\AGI\Coddington Cove 01389218B.AGI

Expanded Luminaire Location Summary						
LumNo	Tag	X	Y	MTG HT	Orient	Tilt
1	A	368.901	448.257	10	90	0
2	B-12W	380.604	448.263	15.5	90	0
3	B-12W	404.608	448.257	15.5	90	0
4	A	416.2	448.257	10	90	0
5	A	429.595	448.257	10	90	0
6	B-12W	441.326	448.261	15.5	90	0
7	B-12W	464.228	448.257	15.5	90	0
8	A	475.841	448.257	10	90	0
9	A	489.268	448.257	10	90	0
10	B-12W	500.976	448.257	15.5	90	0
11	B-12W	525.143	448.258	15.5	90	0
12	A	536.553	448.257	10	90	0
13	A	614.834	448.257	10	90	0
14	B-12W	626.605	448.257	15.5	90	0
15	B-12W	650.751	448.257	15.5	90	0
16	A	662.119	448.257	10	90	0
17	A	675.546	448.257	10	90	0
18	B-12W	687.159	448.257	15.5	90	0
19	B-12W	710.061	448.257	15.5	90	0
20	A	721.792	448.257	10	90	0
21	A	735.187	448.257	10	90	0
22	B-12W	746.938	448.257	15.5	90	0
23	B-12W	770.932	448.249	15.5	90	0
24	A	782.486	448.257	10	90	0
25	C	358.32	441.679	11.75	180	0
26	C	358.32	434.315	14.667	180	0
27	C	358.32	427.092	14.667	180	0
28	B-18W	541.942	423.19	25	0	0
29	B-18W	607.935	423.19	25	180	0
30	B-18W	787.942	423.188	25	0	0
31	C	358.32	419.697	11.75	180	0
32	A	607.941	412.538	10	180	0
33	A	541.941	408.257	10	0	0
34	A	787.941	408.257	10	0	0
35	A	607.941	404.19	10	180	0
36	C	358.32	396.769	11.75	180	0
37	B-18W	541.942	393.187	25	0	0
38	B-18W	607.936	393.187	25	180	0
39	B-18W	787.942	393.185	25	0	0
40	C	358.32	389.349	14.667	180	0
41	C	358.32	382.013	14.667	180	0
42	C	358.32	374.77	11.75	180	0
43	A	368.916	368.257	10	270	0
44	B-18W	380.608	368.257	15.5	270	0
45	B-18W	404.671	368.257	15.5	270	0
Total Quantity: 133 ( 45 shown, 1 through 45 )						

Expanded Luminaire Location Summary						
LumNo	Tag	X	Y	MTG HT	Orient	Tilt
46	A	416.267	368.257	10	270	0
47	A	429.574	368.257	10	270	0
48	A	475.904	368.257	10	270	0
49	B-18W	441.35	368.211	15.5	270	0
50	A	489.4	368.257	10	270	0
51	B-18W	464.284	368.211	15.5	270	0
52	B-18W	500.941	368.257	15.5	270	0
53	B-18W	525.036	368.257	15.5	270	0
54	A	536.686	368.257	10	270	0
55	A	614.701	368.257	10	270	0
56	B-18W	626.51	368.257	15.5	270	0
57	B-18W	650.605	368.257	15.5	270	0
58	A	661.987	368.257	10	270	0
59	A	675.483	368.257	10	270	0
60	B-18W	687.338	368.257	15.5	270	0
61	B-18W	710.272	368.257	15.5	270	0
62	A	721.813	368.257	10	270	0
63	A	735.12	368.257	10	270	0
64	B-18W	746.938	368.257	15.5	270	0
65	B-18W	771.001	368.257	15.5	270	0
66	A	782.471	368.257	10	270	0
67	A	368.901	334.257	10	90	0
68	B-18W	380.608	334.257	15.5	90	0
69	B-18W	404.612	334.257	15.5	90	0
70	A	416.2	334.257	10	90	0
71	A	429.595	334.257	10	90	0
72	B-18W	441.275	334.257	15.5	90	0
73	B-18W	464.177	334.257	15.5	90	0
74	A	475.841	334.257	10	90	0
75	A	489.268	334.257	10	90	0
76	B-18W	500.941	334.257	15.5	90	0
77	B-18W	525.087	334.257	15.5	90	0
78	A	536.553	334.257	10	90	0
79	A	614.834	334.257	10	90	0
80	B-18W	626.608	334.257	15.5	90	0
81	B-18W	650.754	334.257	15.5	90	0
82	A	662.119	334.257	10	90	0
83	A	675.546	334.257	10	90	0
84	B-18W	687.275	334.257	15.5	90	0
85	B-18W	710.177	334.257	15.5	90	0
86	A	721.792	334.257	10	90	0
87	A	735.187	334.257	10	90	0
88	B-18W	746.941	334.257	15.5	90	0
89	B-18W	770.945	334.257	15.5	90	0
90	A	782.486	334.257	10	90	0
Total Quantity: 133 ( 45 shown, 46 through 90 )						

Expanded Luminaire Location Summary						
LumNo	Tag	X	Y	MTG HT	Orient	Tilt
91	C	358.326	327.679	11.75	180	0
92	C	358.326	320.315	14.667	180	0
93	C	358.326	313.092	14.667	180	0
94	B-18W	541.937	309.258	25	0	0
95	B-18W	607.935	309.258	25	180	0
96	B-18W	787.942	309.256	25	0	0
97	C	358.326	305.697	11.75	180	0
98	A	541.941	298.538	10	0	0
99	A	607.941	298.539	10	180	0
100	A	787.941	294.257	10	0	0
101	A	541.941	290.19	10	0	0
102	A	607.941	290.19	10	180	0
103	C	358.326	282.769	11.75	180	0
104	B-18W	541.942	279.255	25	0	0
105	B-18W	607.94	279.255	25	180	0
106	B-18W	787.942	279.253	25	0	0
107	C	358.326	275.349	14.667	180	0
108	C	358.326	268.013	14.667	180	0
109	C	358.326	260.77	11.75	180	0
110	A	368.916	254.257	10	270	0
111	B-18W	380.608	254.257	15.5	270	0
112	B-18W	404.671	254.257	15.5	270	0
113	A	416.267	254.257	10	270	0
114	A	429.574	254.257	10	270	0
115	B-18W	441.35	254.257	15.5	270	0
116	B-18W	464.284	254.257	15.5	270	0
117	A	475.904	254.257	10	270	0
118	A	489.4	254.257	10	270	0
119	B-18W	500.941	254.257	15.5	270	0
120	B-18W	525.036	254.257	15.5	270	0
121	A	536.686	254.257	10	270	0
122	A	614.701	254.257	10	270	0
123	B-18W	626.608	254.257	15.5	270	0
124	B-18W	650.703	254.257	15.5	270	0
125	A	661.987	254.257	10	270	0
126	A	675.483	254.257	10	270	0
127	B-18W	687.275	254.257	15.5	270	0
128	B-18W	710.209	254.257	15.5	270	0
129	A	721.813	254.257	10	270	0
130	A	735.12	254.257	10	270	0
131	B-18W	746.941	254.257	15.5	270	0
132	B-18W	771.004	254.257	15.5	270	0
133	A	782.471	254.257	10	270	0
Total Quantity: 133 ( 43 shown, 91 through 133 )						



408 W 14th Street, New York, NY 10014  
888 722-1000 • rablighting.com

Prepared For:  
Holbrook Associated  
35 Reservoir Park Drive  
Rockland, MA 02370  
Tel: 781-871-0011

Job Name:  
Coddington Cove  
Middletown, RI

Lighting Layout  
Version B

Scale: as noted

PROJECT #: 234122

Date: 7/17/2024

CASE #: 01389218

Filename: Coddington Cove 01389218B.AGI

Drawn By: CJ Vilmont

The Lighting Analysis, ELayout, Energy Analysis and/or Visual Simulation ("Lighting Design") provided by RAB Lighting Inc. ("RAB") represents an anticipated prediction of lighting system performance based upon design parameters and information supplied by others. These design parameters and information provided by others have not been field verified by RAB and therefore actual measured results may vary from the actual field conditions. RAB recommends that design parameters and other information be field verified to reduce variation.

RAB does not warranty, either implied or stated, actual measured light levels or energy consumption levels as compared to those illustrated by the Lighting Design.

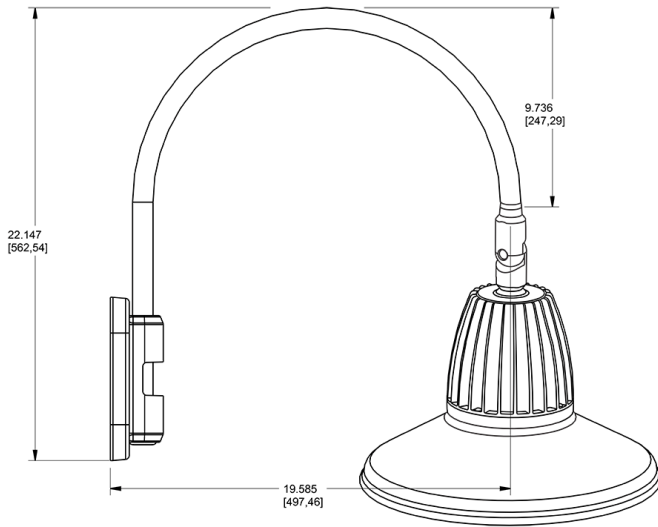
RAB does not warranty, either implied or stated, nor represents the appropriateness, completeness or suitability of the Lighting Design as compliant with any applicable regulatory code requirements with the exception of those expressly stated on drawings created and submitted by RAB. The Lighting Design is issued, in whole or in part, as advisory documents for informational and convenience purposes only, is not intended for construction nor as a part of a project's construction documentation package, and should not be relied upon for any purpose.

Immediately prior to any party ordering RAB products used in the Lighting Design, the ordering party must verify that the lumen output of the fixtures being ordered (as shown on RAB's website) match the lumen output shown in the Lighting Design. Occasionally, Lighting Designs previously provided use fixtures that are then updated prior to an order and such updates could change the lumen output of the fixture. This in turn, could impact the installed lighting performance that differs from the Lighting Design.

Filename: C:\Users\christy.vilmont\OneDrive - RAB Lighting\Desktop\WIP\07.2024\Coddington Cove\Working Files\AGI\Coddington Cove 01389218B.AGI



## Dimensions



## Features

- Adjustable 45° swivel joint
- Superior heat sink
- Die-cast aluminum housing
- 5-Year, No-Compromise Warranty

## Ordering Matrix

Family	Wattage	Color Temp	Reflector	Shade	ShadeSize	Finish
GN5LED	26	Y		ST		W
	26 = 26W 13 = 13W	Y = 3000K Warm N = 4000K Neutral	Blank = Flood R = Rectangular S = Spot	ST = Straight Shade	11 = 11" Blank = 15"	R = Red I = Ivory BWN = Brown BL = Royal Blue LB = Light Blue YL = Yellow G = Hunter Green S = Silver A = Bronze W = White B = Black



Color: Bronze

Weight: 2.9 lbs

<b>Project:</b>	<b>Type:</b>
<b>Prepared By:</b>	<b>Date:</b>

Driver Info		LED Info	
Type	Constant	Watts	26/18/12W
120V	0.26A/0.20A/0.13A	Color Temp	3000K/4000K/5000K
208V	0.13A/0.10A/0.07A	Color	82-85 CRI
240V	0.17A/0.09A/0.06A	Accuracy	
277V	0.11A/0.08A/0.06A	L70 Lifespan	100,000 Hours
Input Watts	15.2-30.5W	Lumens	2,175-4,389 lm
		Efficacy	135.1-150.6 lm/W

**Technical Specifications**

**Field Adjustability**

**Field Adjustable:**

Field Adjustable Light Output:  
26W/18W/12W (factory default 26W)  
Color temperature selectable 3000K, 4000K and 5000K (factory default 4000K)

**Compliance**

**UL Listed:**

Suitable for wet locations

**IESNA LM-79 & LM-80 Testing:**

RAB LED luminaires and LED components have been tested by an independent laboratory in accordance with IESNA LM-79 and LM-80.

**ADA Compliant:**

Meets ADA Requirements for wall-mounted luminaires.

**IP Rating:**

Ingress protection rating of IP65 for dust and water

**Trade Agreements Act Compliant:**

This product is a product of Cambodia and a "designated country" end product that complies with the Trade Agreements Act

**DLC Listed:**

This product is listed by Design Lights Consortium (DLC) as an ultra-efficient premium product that qualifies for the highest tier of rebates from DLC Member Utilities. Designed to meet DLC 5.1 requirements.  
DLC Product Code: S-IHR6QX

**Performance**

**Lifespan:**

100,000-Hour LED lifespan based on IES LM-80 results and TM-21 calculations

**Wattage Equivalency:**

26W: Replaces up to 175W Metal Halide (MH) or 150W High Pressure Sodium (HPS)  
18W: Replaces up to 125W Metal Halide (MH) or 100W High Pressure Sodium (HPS)  
12W: Replaces up to 100W Metal Halide (MH) or 70W High Pressure Sodium (HPS)

**LED Characteristics**

**LEDs:**

Long-life, high-efficiency, surface-mount LEDs

**Electrical**

**Driver:**

Constant Current, Class 2, 120-277V, 50/60 Hz  
26W: 120V: 0.26A, 208V: 0.13A, 240V: 0.12A, 277V: 0.11A  
18W: 120V: 0.20A, 208V: 0.10A, 240V: 0.09A, 277V: 0.08A  
12W: 120V: 0.13A, 208V: 0.07A, 240V: 0.06A, 277V: 0.06A

**Dimming Driver:**

Driver includes dimming control wiring for 0-10V dimming systems. Requires separate 0-10V DC dimming circuit. Dims down to 10%.

**THD:**

26W: 3.4% at 120V, 4.68% at 277V  
18W: 2.95% at 120V, 5.3% at 277V  
12W: 3% at 120V, 8.42% at 277V

**Power Factor:**

26W: 99.8% at 120V, 96.5% at 277V  
18W: 99.7% at 120V, 94.6% at 277V  
12W: 99.4% at 120V, 89.6% at 277V

**Photocell:**

120-277V selectable photocell that can be turned on and off.

**Surge Protection:**

4kV

## Technical Specifications (continued)

### Construction

---

**Cold Weather Starting:**

The minimum starting temperature is -40°C (-40°F)

**Maximum Ambient Temperature:**

Suitable for use in up to 40°C (104°F)

**Housing:**

Aluminum

**Lens:**

Acrylonitrile styrene acrylate (ASA) /Acrylonitrile butadiene styrene (ABS)

**Reflector:**

Mirror finish on polycarbonate

**Mounting:**

Heavy-duty mounting bracket with spring-hinged housing and "kick stand" allow for easy installations. Conduit entries on back and both sides.

**Finish:**

Formulated for high durability and long-lasting color

**Green Technology:**

Mercury and UV free. RoHS-compliant components.

### Other

---

**Note:**

All values are typical (tolerance +/- 10%)

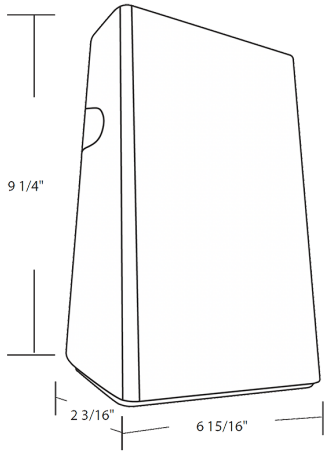
**Warranty:**

RAB warrants that our LED products will be free from defects in materials and workmanship for a period of ten (10) years from the date of delivery to the end user, including coverage of light output, color stability, driver performance and fixture finish. RAB's warranty is subject to all terms and conditions found at [rablighting.com/warranty](http://rablighting.com/warranty).

**Buy American Act Compliance:**

RAB values USA manufacturing! Upon request, RAB may be able to manufacture this product to be compliant with the Buy American Act (BAA). Please contact customer service to request a quote for the product to be made BAA compliant.

Dimensions



Features

- 100,000-hour LED Life
- 0-10V dimming, standard
- Selectable on/off photocell
- 10-Year, No-Compromise Warranty

Ordering Matrix

Family	Wattage	Color Temp	Finish	Voltage/Driver
SLIM				
	Blank = 26/18/12W	Blank = 3000/4000/5000K Adjustable	Blank = Bronze W = White BR = Brass	Blank = 120-277V, 0-10V Dimming



LED 5W Wall packs. patent-pending thermal management system. 100,000 hour L70 lifespan. 5-year, no-compromise warranty.

Color: Bronze

Weight: 2.0 lbs

<b>Project:</b>	<b>Type:</b>
<b>Prepared By:</b>	<b>Date:</b>

Driver Info		LED Info	
Type	Constant Current	Watts	5W
120V	0.18A	Color Temp	3000K (Warm)
208V	0.18A	Color Accuracy	88 CRI
240V	0.18A	L70 Lifespan	100,000 Hours
277V	N/A	Lumens	128 lm
Input Watts	5.3W	Efficacy	24.2 lm/W

## Technical Specifications

### Compliance

#### UL Listed:

Suitable for wet locations in downlight position only. Suitable for mounting within 4ft (1.2m) of the ground.

#### IP Rating:

Ingress protection rating of IP66 for dust and water

#### IESNA LM-79 & LM-80 Testing:

RAB LED luminaires and LED components have been tested by an independent laboratory in accordance with IESNA LM-79 and LM-80.

#### Dark Sky Conformance:

Allows for conformance to the IDA's fully shielding requirement, emitting no light above 90 degrees.

### Performance

#### Lifespan:

100,000-Hour LED lifespan based on IES LM-80 results and TM-21 calculations

#### Wattage Equivalency:

Equivalent to 13W CFL or 60W Incandescent

### Other

#### Patents:

The WPLED design is protected by patents pending in the U.S., Canada, China, Taiwan and Mexico.

### Warranty:

RAB warrants that our LED products will be free from defects in materials and workmanship for a period of five (5) years from the date of delivery to the end user, including coverage of light output, color stability, driver performance and fixture finish. RAB's warranty is subject to all terms and conditions found at [rablighting.com/warranty](http://rablighting.com/warranty).

### Buy American Act Compliance:

RAB values USA manufacturing! Upon request, RAB may be able to manufacture this product to be compliant with the Buy American Act (BAA). Please contact customer service to request a quote for the product to be made BAA compliant.

### LED Characteristics

#### LEDs:

5W, high-output, long-life LED

#### Color Temperature:

3000K

#### Color Consistency:

3-step MacAdam Ellipse binning to achieve consistent fixture-to-fixture color

#### Color Stability:

LED color temperature is warrantied to shift no more than 200K in color temperature over a 5-year period

### Color Uniformity:

RAB's range of Correlated Color Temperature follows the guidelines of the American National Standard for Specifications for the Chromaticity of Solid State Lighting (SSL) Products, ANSI C78.377-2017.

### Construction

#### Ambient Temperature:

Suitable for use in up to 40°C (104°F)

#### Cold Weather Starting:

The minimum starting temperature is -40°C (-40°F)

#### Housing:

Precision die-cast aluminum housing and mounting plate. 1 1/2" backbox with three 1/2" conduit entry points.

#### Gaskets:

High-temperature silicone gaskets

#### Finish:

Formulated for high durability and long-lasting color

#### Green Technology:

Mercury and UV free. RoHS-compliant components.

## Technical Specifications (continued)

### Electrical

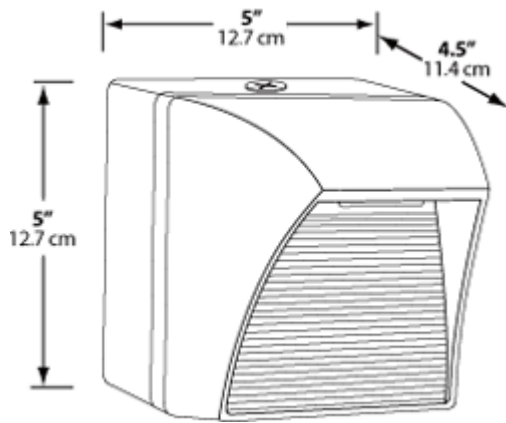
#### Drivers:

Constant current, Class 2, 100 - 240VAC, 50 - 60 Hz,  
0.18 Amps.

#### Surge Protection:

1 KV

## Dimensions



## Features

- High performance LED light engine
- Maintains 70% of initial lumens at 100,000-hours
- Weatherproof high temperature silicone gaskets
- Superior heat sinking with die cast aluminum housing and external fins
- Replaces 13W CFL or 60W Incandescent
- 100 up to 240 Volts
- 5-Year, No-Compromise Warranty