

Type	Manufacturer	Model	Quantity	Order No.
A	Barn Light Electric	The Original	7	81E-W-WHS14-H-150-NA-FST-100-NA-NA-E26
B	Alcon Lighting	10" Eyelid	4	11231-E-BK-15-010-3BK-0
C	Alcon Lighting	Sign Light	2	11704-48-2700-6-WH-F-IGELV
D	Rab Lighting	Lawn Light	15	RAB LL3238

ISSUED: 10.08.2020

STEPHEN SULLIVAN, INC.  
 477 HIGH STREET  
 PEACE DALE, RI 02879

SITE LIGHTING PLAN  
 819 AQUINNECK AVE  
 MIDDLETOWN, RI 02842

SK-1.7



SPS-0081 REV A

**THE ORIGINAL™ WALL SCONCE**

JOB NAME: 819 Aquidneck Ave

FIXTURE TYPE: Fixture A



BLE - W - WHS14 - N - 150 - NA - FST - 100 - NA - NA - NA -

A B C D E F G H

E26

I

Order Example: BLE - W - WHS14 - N - 400 - TGG - RIB - 975 - NA - NA - NA - E26

**A - SHADE SIZE**

ORIGINAL™:

WHS12  
WHS14

**B - FINISHES**PORCELAIN FINISHES<sup>1</sup>:

150 Black  
250 White  
350 Vintage Green  
355 Jadite  
455 Cherry Red  
550 Yellow  
650 Bronze  
750 Cobalt Blue  
765 Delphite Blue  
850 Graphite  
950 Metallic Chrome

POWDER COAT FINISHES<sup>2</sup>:

100 Black  
105 Textured Black  
200 White  
300 Dark Green  
307 Emerald Green  
311 Jadite  
370 Mint  
380 Chartreuse  
390 Teal  
400 Barn Red  
420 Orange  
470 Watermelon  
480 Blush Pink  
490 Magenta  
495 Sherbet Orange  
500 Buttery Yellow  
570 Sunflower  
600 Bronze  
601 Chocolate  
605 Rust  
615 Oil-Rubbed Bronze  
700 Royal Blue  
705 Navy  
710 Cobalt Blue  
715 Delphite Blue  
790 Lavender  
800 Industrial Grey  
805 Charcoal Granite  
810 Graphite  
975 Galvanized

**C - OPTIONAL ACCESSORY**

NA None  
WC Wire Cage  
ACR Acrylic Diffuser<sup>4,5,6</sup>  
TGG Heavy Duty Guard  
CGG Cast Guard  
WGG Wire Guard

**D - GLASS OPTION<sup>3</sup>**

NA Not Applicable  
CLR Clear Glass  
FST Frosted Glass  
RIB Ribbed Glass  
BLU Blue Glass  
RED Red Glass  
AMB Amber Glass  
GRN Green Glass  
CCR Clear Crackle Glass  
SMK Smoke Crackle Glass  
HCR Honey Crackle Glass

**E - OPTIONAL ACCESSORY FINISH**

Please Note: See Section B for all optional accessory finish options.

(I) If a porcelain finish is selected, accessory will be powder coat painted-to-match.

(II) If no accessory is selected in Section C, please select NA.

NA Not Applicable

**F - PLUG-IN OPTION**

NA None  
L-WL Plug with Inline On/Off Switch

**G - PLUG-IN CORD OPTION**

NA Not Applicable

CSA LISTED CORD OPTIONS:

SBK Standard Black Cord  
SWH Standard White Cord  
CMG Grey Cotton  
CRZ Red Chevron  
CSB Black Cloth Cord  
CSW White Cloth Cord  
CSR Red Cloth Cord  
CSBW Black & White Cloth  
CSRW Red & White Cloth  
CSBG Black & Gold Cloth  
CSBP Black & Pink Cloth  
CSGW Gold & White Cloth  
CSUW Blue & White Cloth  
CSBB Black & Brown Cloth

**H - DUSK-TO-DAWN PHOTOCELL<sup>8</sup>**

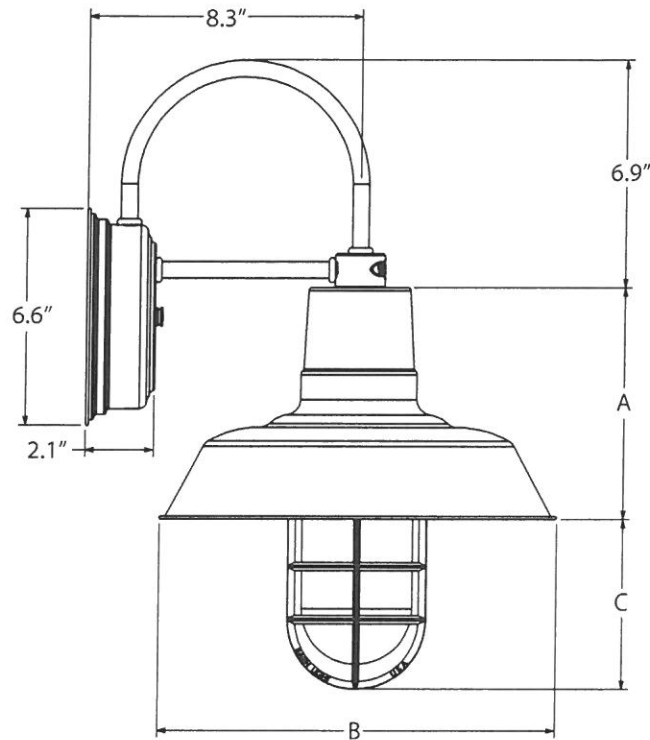
NA None/Not Applicable  
DD Dusk-to-Dawn Photocell

**I - LIGHT SOURCE**

E26 200 Watt Max  
GU24 23 Watt Max<sup>7</sup>

**IMPORTANT:** (1) All Porcelain Enamel finished shades feature a white interior and a black outer rim (2) All Powder Coat finished shades, with the exception of Galvanized, feature a white interior (3) Guard and Glass accessory reduces incandescent wattage to 100W Max and GU24 Bi-Pin to 18W Max (4) Acrylic Diffuser accessory reduces incandescent wattage to 60W (5) Not available with the Guard & Glass Accessory (6) Fixture is UL Listed for Damp Locations with Acrylic Diffuser (7) Not available with Acrylic Diffuser accessory (8) Dusk-to-Dawn Photocell not applicable if Plug-In Option selected in Section F

**DIMENSIONAL DRAWING**



SHOWN WITH: OPTIONAL GUARD & GLASS ACCESSORY

SHADE CODE	HEIGHT (A)	DIAMETER (B)	EXTENSION (C)
WHS12	7"	12"	5.1"
WHS14	7.5"	14"	4.8"

**SPECIFICATIONS**

**CERTIFICATIONS, LISTINGS & WARRANTY**

MADE IN THE USA  
 Manufactured and Hand-Crafted in Our 60,000 Square Foot Facility  
 Located in Titusville, FL

CSA LISTED FOR WET LOCATIONS  
 If Plug-In Option Selected, CSA Listed for Damp Locations Only

LIMITED WARRANTY  
 For Additional Information on Our Limited Warranty, Please See  
 Our Terms & Conditions

UL CERTIFICATION  
 UL Listed Fixtures Available upon Request. Please Consult Factory  
 for Additional Information.

**SHADE & FINISHES**

POWDER COAT SHADE  
 Hand-Spun from High Purity 0.050" Thick 3003-O Temper  
 Aluminum

PORCELAIN SHADE  
 Hand-Spun from 20 Gauge Sheet Metal

POWDER COAT FINISHES  
 Polyester Powder Coat Finishes Are Electro-Staticly Applied and  
 Thermocured

PORCELAIN FINISHES  
 Applied by Hand and Fired in a High Temperature Oven

**LIGHT SOURCE**

INCANDESCENT  
 Medium Base E26 Socket, 120 VAC

COMPACT FLOURESCENT  
 Bi-Pin Base GU24 Socket, 120 VAC

LED  
 The Original™ Wall Sconce Also Available in LED. Please Visit  
 Website for LED Specifications.

**DESIGN**

BACKING PLATE  
 Hand-Spun from High Purity 0.050" Thick 3003-O Temper  
 Aluminum

WALL SCONCE ARM  
 1/4" Nominal (0.50" Actual) Steel/Aluminum Mounting Arm

MAX FIXTURE WEIGHT  
 10 lbs

### INTENDED USE

The **Alcon Lighting Optic LED Wallpack Round Outdoor Vandal Proof Luminaire** features high durability and performance designed to withstand tough environments. The Optic LED Wallpack is ideal for schools, parking garages, office complexes, and other outdoor applications.

### DETAILS

**Diameter:** 10.25" | SP: 10.75"

**Construction:** : Constructed from one piece of high grade die cast aluminum. Faceplate is secured to housing by four (4) captive, tamper resistant, stainless steel screws

**Lens:** Impact Resistant Diffusing Lens

**Finish:** Powdercoat Finish

### ADDITIONAL FEATURES

**CRI:** 80+

**Emergency Battery:** Remote Installation. 90 minute Back up.

**Dimming:** 5-Wire 0-10V Dimming to 10%

**Power Factor:** > 0.90

**Life:** L70 Rating - 50,000 Hours

**Warranty:** 5 Years Carefree for Parts & Components (Labor Not Included)

**Listings:** cETLus, IP65 Rated, Assembled in the USA, Suitable for Wet Location



R - Round



C - Crossbar



E - Eyelid



V - Vanguard



B - Bullseye



D - Decorative Crossbar



G - Guardbar



S - Striped



SP - Square Pyramid

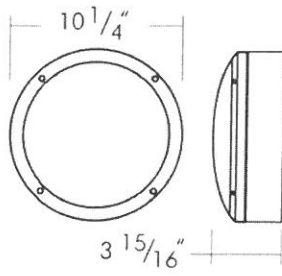


### ORDERING INFORMATION Example: (11231-O-BK-20-010-30K)

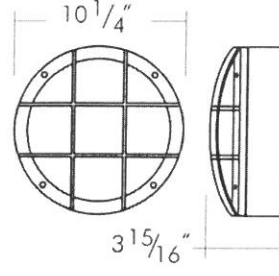
11231	E	BK	15	010	30k	0
Model	Guard	Finish	Wattage   Lumens	Voltage	Color Temperature	Options
11231	O	BK	10	(Blank)	30K	EM
	Open Face	Black	10 Watts   600 Lumens	120V Non-Dimming	3000K	Remote Emergency Back Up
	C	WH	15 <sup>2</sup>	UNV	40K	
	Cross	White	15 Watts   1100 Lumens	120V/277V Non-Dimming	4000K	
	E	SL	20 <sup>3</sup>	010	50K	
	Eyelid	Silver	20 Watts   1500 Lumens	120V/277V 0-10V Dimming	5000K	
	V	BZ <sup>1</sup>			RGBW	
	Vanguard	Architectural Bronze			Color	
	B				Changing	
	Bulls Eye				(Consult Factory)	
	D					
	Decorative Crossbar					
	G					
	Guard Bar					
	S					
	Striped					
	SP					
	Square Pyramid					

<sup>1</sup> Additional Lead Time may apply; Consult Factory  
<sup>2</sup> Only Available for Eyelid Guard Option.  
<sup>3</sup> Not Available for Eyelid Guard Option.

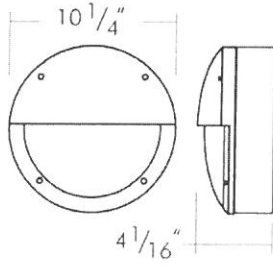
## DIMENSIONS



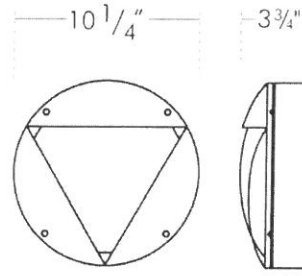
**R - Round**



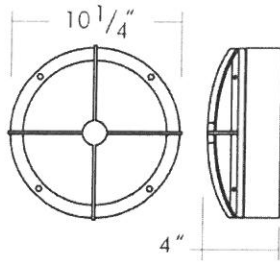
**C - Crossbar**



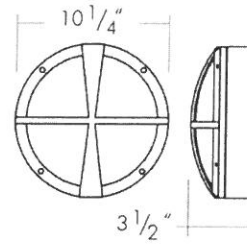
**E - Eyelid**



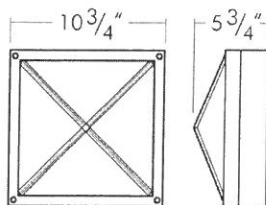
**V - Vanguard**



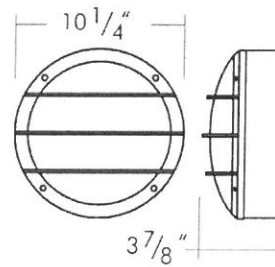
**B - Bullseye**



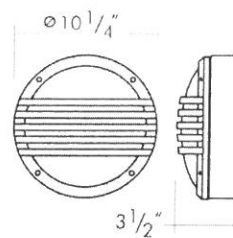
**D - Decorative Crossbar**



**SP - Square Pyramid**



**G - Guardbar**



**S - Striped**

## FEATURES & SPECIFICATIONS

### INTENDED USE

The Alcon Lighting **Milano** Architectural LED Directional Up Light Fixture features naturally etched finishes capable of withstanding the test of time. The Milano Directional Uplights are ideal for architectural landscape lighting applications.

### DETAILS

**L** 4.75" x **Dia** 2"

**Construction:** Corrosion Resistant Brass

**Lens:** Clear and heat resistant convex glass

**Wiring:** Prewired with a 3' 18-2 SPT2-W direct burial cord

**Socket:** Spring loaded top grade adjustable ceramic bi-pin

**Gasket:** Watertight Silicone Gasket

**Knuckle:** Adjustable cast brass with thumb screw and 1/2" NPT threaded male hub

**Mounting:** Standard injection molded spike with 1/2" NPT threaded female hub (1/2" NPT Spike included)

**Electrical:** Remote 12V transformer required (Not included)

**Halogen Equivalent:** MR16 - 20W (3.5W) / 50W (5W)

**Finish:** Bronze

### ADDITIONAL FEATURES

**Voltage:** 12V AC/EDC

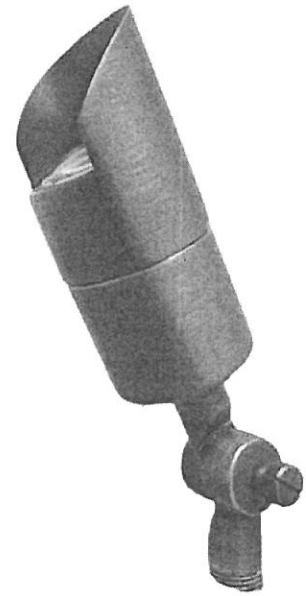
**Color Temperature:** 2700K

**CRI:** 80

**Ambient Temperature:** -22°F - 122°F

**Life:** 50,000 Hrs

**Warranty:** Limited Lifetime Warranty  
5 Year Limited Warranty on LED



Mounting Accessories:



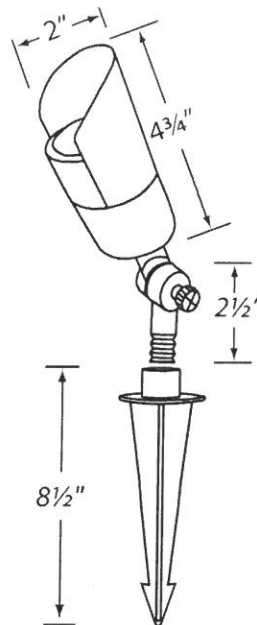
Mounting Stem



Mounting Canopy



Mounting Pedestal

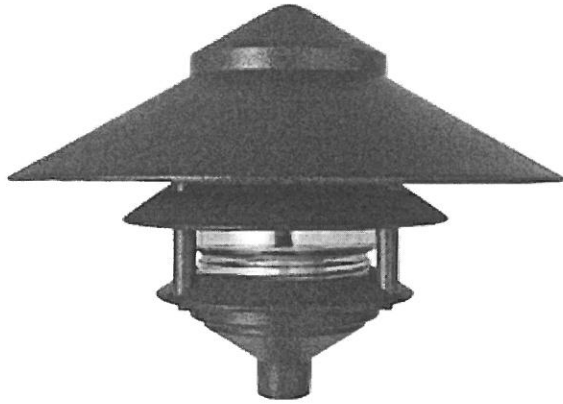


### Ordering Information:

Example: (9010-5S)

Model	Wattage/Lumens/Optics	Mounting	Options
11231	5F	Blank	UWC
<b>9010</b>	<b>5S</b> 5W / 450 lms / 15° Spot	<b>(Blank)</b> 1/2" NPT Spike Included	<b>UWC</b> Universal Wire Connector
	<b>5F</b> 5W / 450 lms / 45° Flood	<b>MC</b> Mounting Canopy	
	<b>5WF</b> 5W / 450 lms / 60° Wide Flood	<b>MS6<sup>1</sup></b> 6" Mounting Stem	
		<b>MS12<sup>1</sup></b> 12" Mounting Stem	
		<b>MS18<sup>1</sup></b> 18" Mounting Stem	
		<b>MS24<sup>1</sup></b> 24" Mounting Stem	
		<b>MP<sup>2</sup></b> 18" Mounting Pedestal	

<sup>1</sup>Bronze Finish  
<sup>2</sup>Black Finish



Rugged die cast aluminum 6" diameter housings. Threaded, gasketed clear glass globe for durable weatherproofing and easy relamping. 1" long, 1/2" threaded nipple included for easy mounting. 75 Watt max. Incandescent lamp not supplied. Fluorescent lamp supplied.

Color: Black

Weight: 3.0 lbs

**Project:**

819 Aquidneck Ave

**Type:**

D

**Prepared By:**

SS

**Date:**

09.10.2020

**Lamp Info**

Type A-19  
 Watts 75W  
 Shape/Size N/A  
 Base N/A  
 ANSI N/A  
 Hours 750  
 Lamp Lumens 1,220  
 Efficacy N/A

**Ballast Info**

Type N/A  
 120V N/A  
 208V N/A  
 240V N/A  
 277V N/A  
 Input Watts 0.00W

**Technical Specifications**

**Listings**

**UL Listed:**

Suitable for wet locations. Suitable for mounting within 4 feet of the ground.

**Electrical**

**Socket:**

Medium base porcelain with all copper electrical parts and 20" leads, including a ground lead

**Voltage:**

120 volts AC

**Construction**

**Globes:**

Threaded, gasketed globe protects against weather, garden sprinklers and insects. Clear glass GL 100 globes standard for 4 Tier. Clear glass GL60 globes standard for 3 Tier. GL100 white globes also available for attractive appearance and glare reduction.

**Housing:**

Die-cast aluminum housing with powder coat finish

**Mounting Stem:**

Optional 12" mounting stem with 1/2" threads on both ends available [here](#).

**Optical**

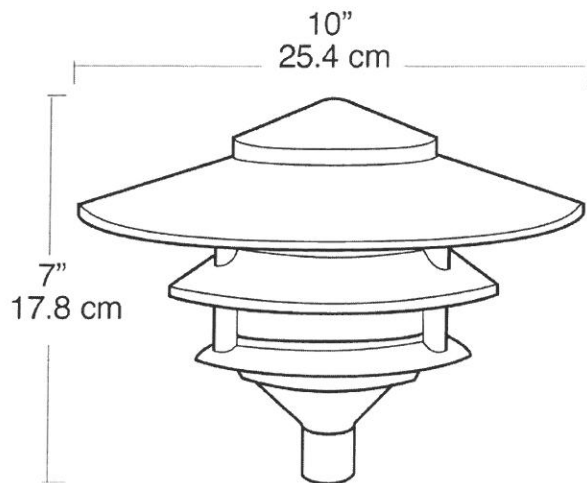
**Lamp:**

Incandescent lamp not supplied. Medium base A-19 lamps, 120V. 75 watt max.

**Other**

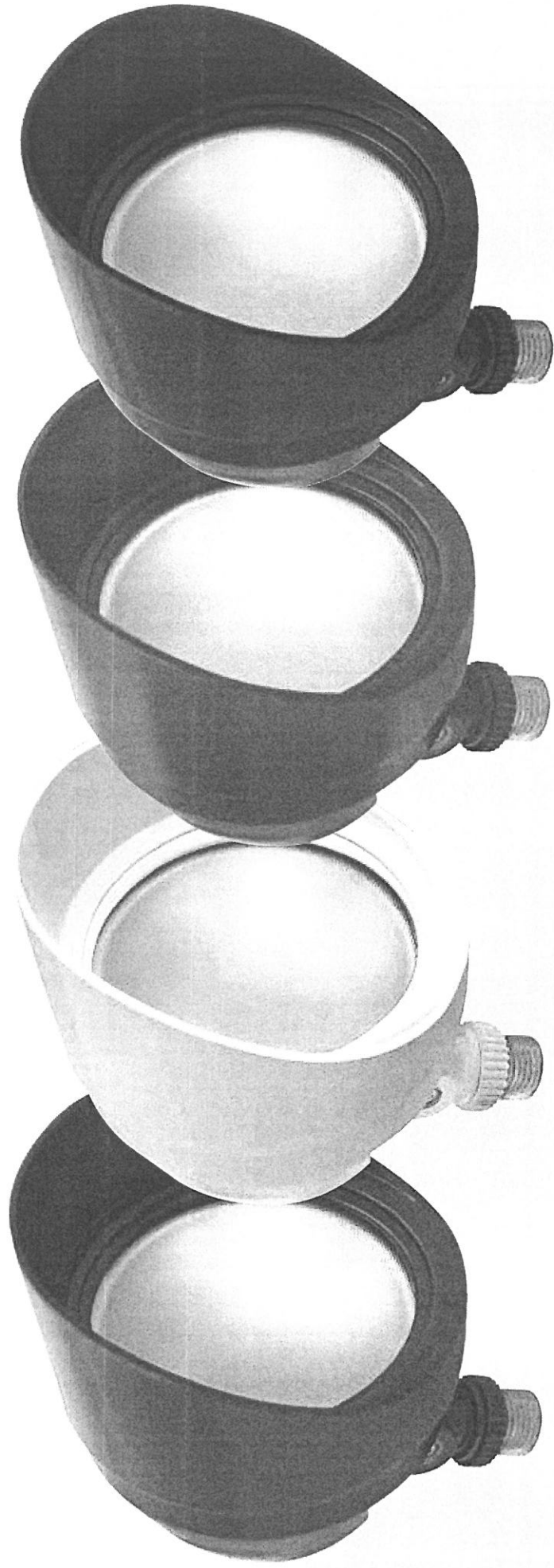
**Buy American Act Compliance:**

RAB values USA manufacturing! Upon request, RAB may be able to manufacture this product to be compliant with the Buy American Act (BAA). Please contact customer service to request a quote for the product to be made BAA compliant.

**Dimensions****Features**

- Rugged die cast aluminum housing with durable powder coating
- Socket with all copper electrical parts and 20" leads
- Quick and secure installation with one corrosion-proof screw
- Threaded, gasketed globes for durable weatherproofing and easy relamping
- 12" color matched mounting stem with 1/2" threads available
- Includes easy mounting 1/2" threaded nipple

The Bullet® flood you love, now in LED.  
Perfect for residential and commercial landscapes.



BULLET12

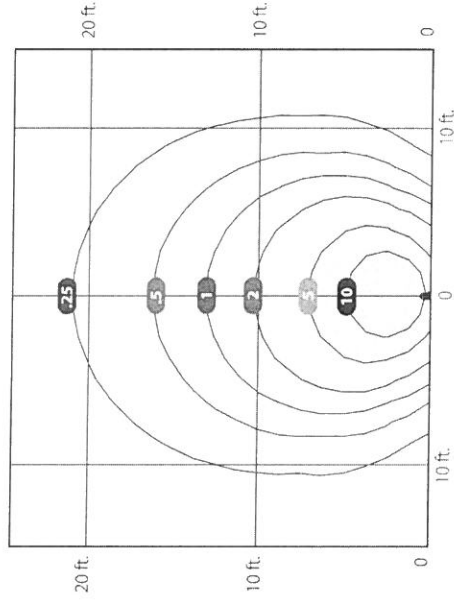
**RAB**<sup>®</sup>  
LIGHTING  
RABWEB.COM • 888-722-1000

# BULLET 12

- Available in single or dual head configurations
- Each equivalent to 75W PAR30
- Professional grade with adjustable heads
- Mount as a downlight or uplight on RAB Mighty Post or junction box
- Available in bronze, white, black and verde green
- Microprismatic diffusion lens for smooth and even light distribution that eliminates glare
- Integrated TRIAC and ELV dimming
- 5-Year warranty
- 100,000-Hour LED Lifespan

## Photometrics

**BULLET12 - At 5 foot setback, 45° above horizontal**



*Multiples of Mounting Height • Values Shown in Footcandles  
Photometric Report #ITL80692*

## Specifications

**UL Listing:** Suitable for wet locations Suitable for mounting within 1.2m (4 ft.) off the ground

**LEDs:** Multi-chip, high-output, long-life LEDs

**Driver:** Innovative integrated driver technology with 120V TRIAC and ELV dimming\*

**Lifespan:** 100,000-Hour LED Lifespan based on IES LM-80 results and TM-21 calculation

**SINGLE BULLET12:**

<b>Nominal Watts @120V</b>	<b>12W</b>
<b>Input Watts</b>	13
<b>Output Lumens**</b>	957
<b>Lumens Per Watt**</b>	74
<b>Color Accuracy (CRI)**</b>	84
<b>Color Temperature (CCT)**</b>	4000K

**Thermal Management:** Superior heat sinking with external Air-Flow fins

**Housing:** Die-cast aluminum housing, lens frame & mounting plate

**Reflector:** Semi-specular, vacuum-metalized polycarbonate

**Lens:** Microprismatic diffusion lens for smooth and even light distribution

**Mounting:** Heavy-duty mounting arm with "O" ring seal & stainless steel screws

**Gaskets:** High-temperature silicone gaskets

**Finish:** Our environmentally friendly polyester powder coatings are formulated for high-durability and long-lasting color, and contain no VOC or toxic heavy metals.

**Color Uniformity:** RAB's range of CCT (Correlated Color Temperature) follows the guidelines of the American National Standard for Specifications for the Chromaticity of Solid State Lighting (SSL) Products, ANSI C78.377-2011.

**Color Stability:** RAB LEDs exceed industry standards for chromatic stability

**Green Technology:** Mercury and UV free, and RoHS compliant. Polyester powder coat finish formulated without the use of VOC or toxic heavy metals.

**IESNA LM-79 & LM-80 Testing:** RAB LED luminaires have been tested by an independent laboratory in accordance with IESNA LM-79 and LM-80, and have received the Department of Energy "Lighting Facts" label.

**California Title 24: BULLET12** complies with 2013 California Title 24 building and electrical codes as a residential outdoor lighting fixture with no additional hardware required and as a commercial outdoor non-pole-mounted fixture < 30 Watts when used with a photosensor control. Select catalog number PCS900 (120V) to order a photosensor.

**BULLET2x12** complies with 2013 California Title 24 building and electrical codes as a residential outdoor lighting fixture with no additional hardware required and as a commercial outdoor non-pole-mounted fixture < 30 Watts when used with a photosensor control. Select catalog number PCS900 (120V) to order a photosensor.

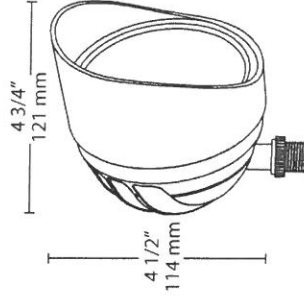
\* Visit [rabweb.com](http://rabweb.com) for a complete list of compatible dimmers.

\*\* Values shown for neutral temperature. Visit [rabweb.com](http://rabweb.com) for cool and warm.

## Dimensions & Weight

**BULLET12**

**Weight:** 1.5 kg.



## Ordering Information

Product Family	Wattage	Color Temperature	Finish
BULLET	12		W
	12W	Blank	A
	2X12	N	W
		Y	B
		5000K	VG
		4000K	Black
		3000K	Verde Green