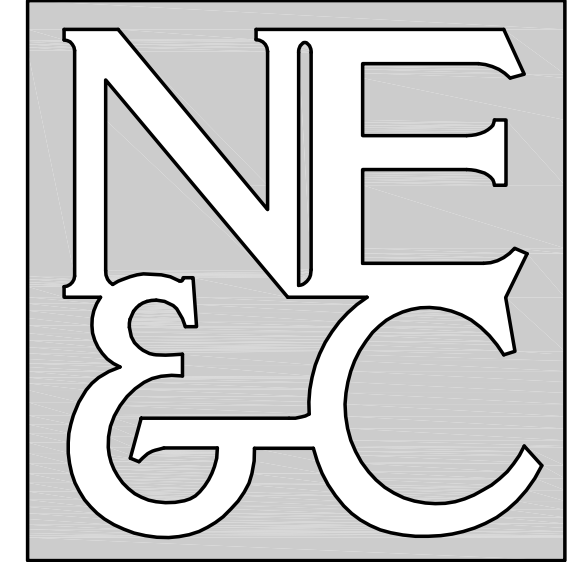


SEE NOTE #3

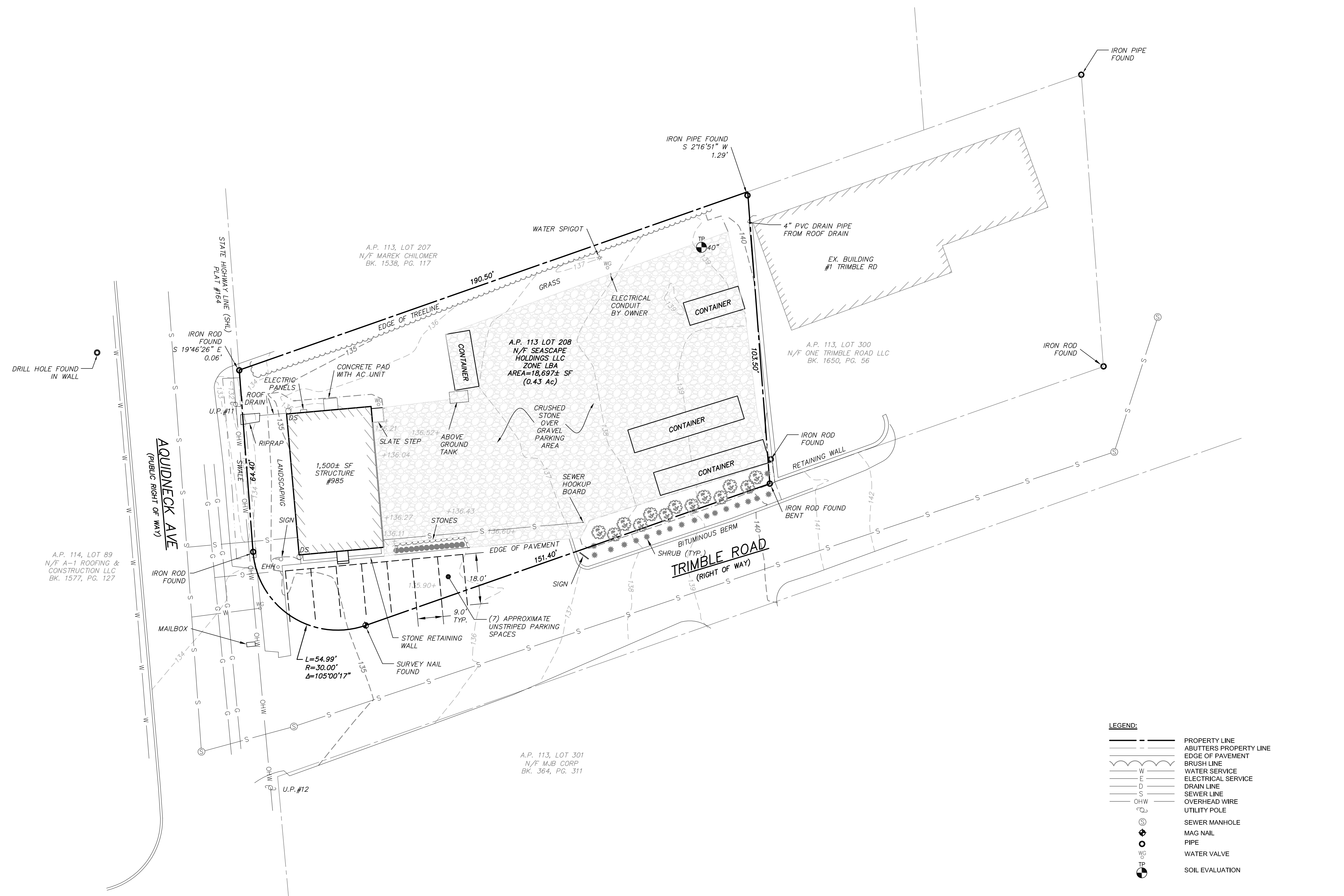
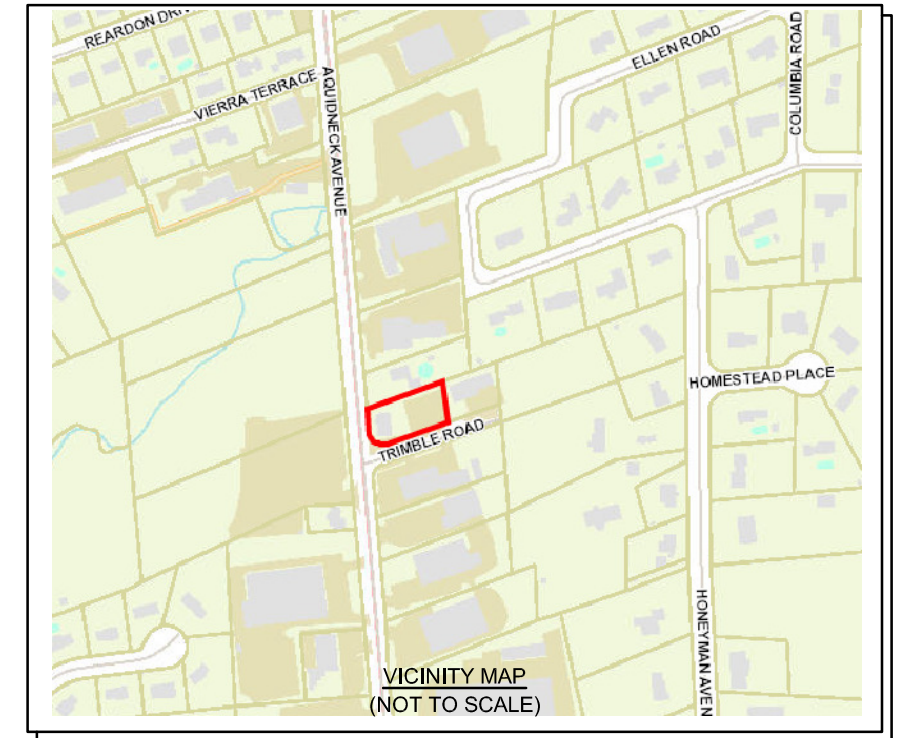
NORTHEAST ENGINEERS & CONSULTANTS, INC.



SITE/CIVIL
LAND PLANNING
WATERFRONT
SURVEYING
GEOTECHNICAL
ENVIRONMENTAL
TRANSPORTATION
STRUCTURAL

A KNOWLEDGE CORPORATION[®]

6 VALLEY ROAD MIDDLETOWN RHODE ISLAND 02842
PHONE (401) 849-0810 FAX (401) 846-4169
WWW.NORTHEASTENGINEERS.COM



A.P. 114, LOT 89
N/F A-1 ROOFING &
CONSTRUCTION LLC
BK. 1577, PG. 127

A.P. 113, LOT 207
N/F MAREK CHLOMER
BK. 1538, PG. 117

A.P. 113 LOT 208
N/F SEASCAPE
HOLDINGS LLC
ZONE LBA
AREA=18,697± SF
(0.43 AC)

A.P. 113, LOT 300
N/F ONE TRIMBLE ROAD LLC
BK. 1650, PG. 56

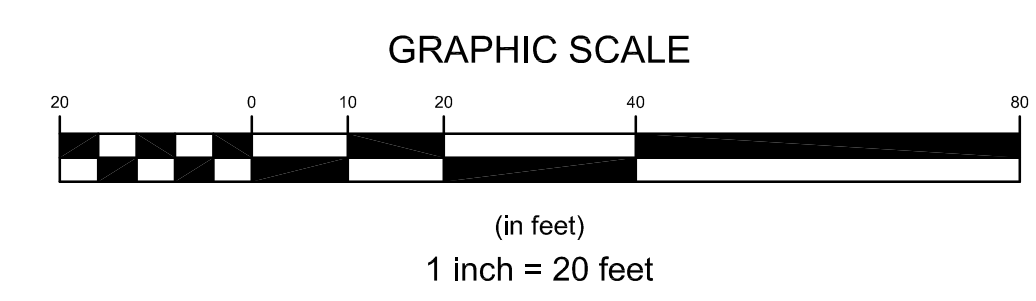
A.P. 113, LOT 301
N/F MJB CORP
BK. 364, PG. 311

LEGEND:

---	PROPERTY LINE
- - -	ADJUTERS PROPERTY LINE
---	EDGE OF PAVEMENT
---	BRUSH LINE
W	WATER SERVICE
E	ELECTRICAL SERVICE
D	DRAIN LINE
S	SEWER LINE
OHW	OVERHEAD WIRE
□	UTILITY POLE
⊙	SEWER MANHOLE
⊙	MAG NAIL
○	PIPE
⊙	WATER VALVE
⊙	SOIL EVALUATION

- GENERAL NOTES:**
- EXISTING CONDITIONS ARE THE RESULT OF A FIELD SURVEY BY NORTHEAST ENGINEERS & CONSULTANTS, INC. IN MARCH 2023.
 - VERTICAL DATUM IS NAVD 88.
 - NORTH ARROW BASED IN RTK/GNSS OBSERVATION.
 - THIS SURVEY WAS PREPARED WITHOUT THE BENEFIT OF A TITLE REPORT, NORTHEAST ENGINEERS & CONSULTANTS, INC. IS NOT RESPONSIBLE FOR ANY UNKNOWN OR UNRECORDED EASEMENTS, DEEDS OR CLAIMS THAT A TITLE REPORT WOULD DISCLOSE.

ALL UNDERGROUND UTILITIES SHOWN ON THIS PLAN HAVE BEEN LOCATED FROM FIELD SURVEY INFORMATION AND EXISTING PLANS. THE SURVEYOR MAKES NO GUARANTEE THAT THE UNDERGROUND UTILITIES SHOWN COMPRISE ALL SUCH UTILITIES IN THE AREA, EITHER IN SERVICE OR ABANDONED. THE SURVEYOR DOES NOT WARRANT THAT THE UNDERGROUND UTILITIES SHOWN ARE IN THE EXACT LOCATION INDICATED ALTHOUGH THEY ARE LOCATED AS ACCURATELY AS POSSIBLE FROM ALL AVAILABLE INFORMATION. (PLEASE CONTACT DISSAFE PRIOR TO CONSTRUCTION AT 1-888-344-7233, AND/OR ALL LOCAL UTILITY COMPANIES)



2	RIDOT REVISIONS	10/19/23	
1	RIDOT REVISIONS	9/18/23	
No.	Revision	Date	App.
Designed By:	JJR	Drawn by:	JJR
		Checked by:	GES
Scale:	1"=20'	Date:	11JUL23

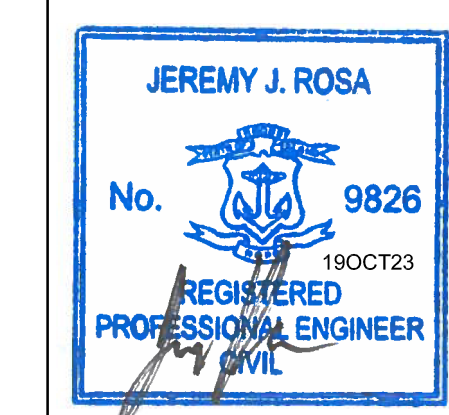
Project Title:
A.P. 113 LOT 208
985 AQUIDNECK AVENUE
MIDDLETOWN, RHODE ISLAND

Client/Owner:
SEASCAPE HOLDINGS LLC
1 TRIMBLE ROAD
MIDDLETOWN, RI 02842

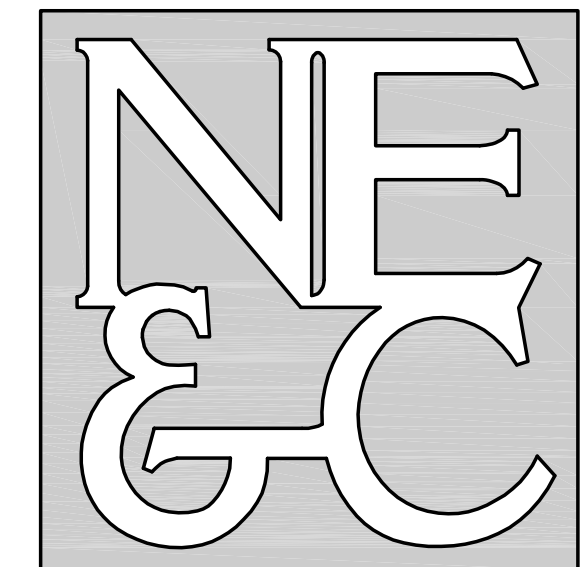
Issued for:
PERMITTING

Drawing Title:
EXISTING CONDITIONS

Drawing Number: C-1
Sheet 1 of 4
Project Number: 22099.0
Survey Index: -

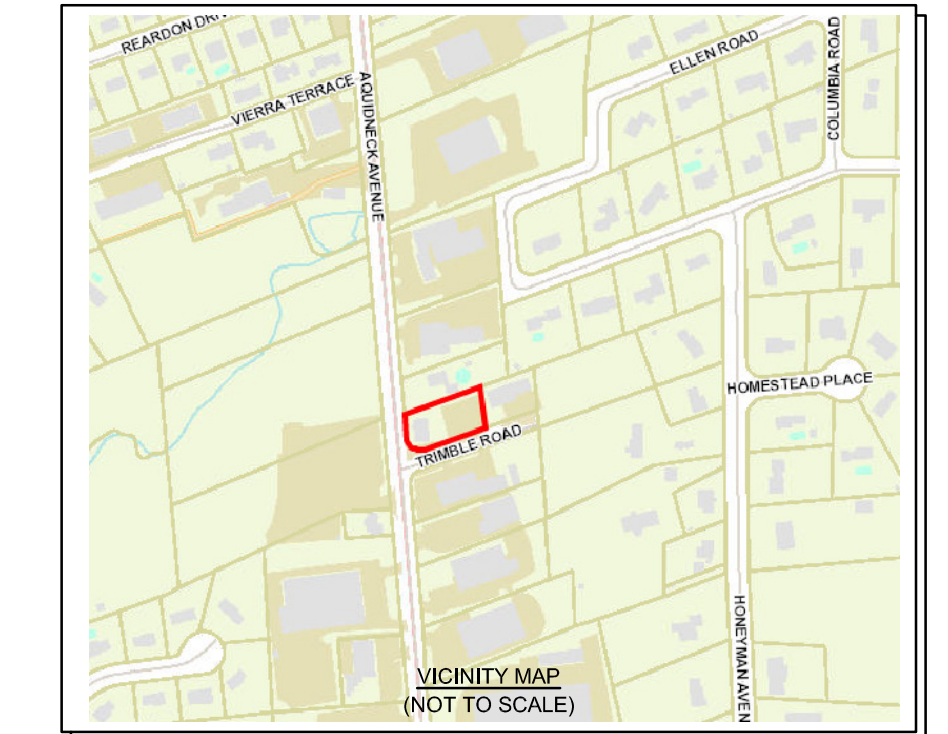


OWNERSHIP AND USE OF DOCUMENTS: DRAWINGS AND SPECIFICATIONS, AS INSTRUMENTS OF PROFESSIONAL SERVICE, ARE AND SHALL REMAIN THE PROPERTY OF THE ENGINEER. THESE DOCUMENTS ARE NOT TO BE USED, IN WHOLE OR PART, FOR ANY OTHER PROJECTS OR PURPOSES, OR BY ANY OTHER PARTIES, THAN THOSE PROPERLY AUTHORIZED BY CONTRACT, WITHOUT THE EXPRESS AUTHORIZATION OF THE ENGINEER.



A KNOWLEDGE CORPORATION®

6 VALLEY ROAD MIDDLETOWN RHODE ISLAND 02842
PHONE (401) 849-0810 FAX (401) 846-4169
WWW.NORTHEASTENGINEERS.COM



GENERAL NOTES

- EXISTING CONDITIONS ARE THE RESULT OF A FIELD SURVEY BY NORTHEAST ENGINEERS & CONSULTANTS, INC. IN MARCH 2023.
- VERTICAL DATUM NAVD88.
- NORTH ARROW BASED IN RTI/GNSS OBSERVATION).
- THE CONTRACTOR SHALL VERIFY THE PROPOSED LAYOUT AND DETAILS WITH THEIR RELATIONSHIP TO THE EXISTING SITE SURVEY. CONTRACTOR SHALL ALSO VERIFY ALL DIMENSIONS, SITE CONDITIONS AND MATERIAL SPECIFICATIONS AND SHALL NOTIFY THE OWNER AND ENGINEER OF ANY ERRORS, OMISSIONS OR DISCREPANCIES BEFORE COMMENCING WORK.
- THE UNDERGROUND UTILITIES KNOWN TO EXIST BY THE ENGINEER FROM HIS SEARCH OF RECORDS ARE INDICATED ON THE PLANS. CONTRACTOR SHALL VERIFY THE LOCATIONS AND DEPTHS OF THE FACILITIES AND EXERCISE PROPER CARE IN EXCAVATING IN THE AREA. ALL DAMAGED PORTIONS SHALL BE REPLACED IN ACCORDANCE WITH THE STANDARDS AND SPECIFICATIONS OF THE AFFECTED UTILITY COMPANY AND SHALL BE THE CONTRACTOR'S RESPONSIBILITY. PERSONAL INJURY RESULTING FROM CONTACT WITH EXISTING UTILITIES SHALL BE THE CONTRACTOR'S RESPONSIBILITY. WHEREVER CONNECTION OF NEW UTILITIES TO EXISTING UTILITIES ARE SHOWN ON THE PLANS, THE CONTRACTOR SHALL EXPOSE THE EXISTING LINES AT THE PROPOSED CONNECTIONS TO VERIFY THEIR LOCATIONS AND DEPTHS PRIOR TO EXCAVATION FOR NEW LINES. (PLEASE CALL DIG SAFE PRIOR TO CONSTRUCTION AT 1-888-DIG-SAFE AND ALL LOCAL UTILITY COMPANIES.)
- THE CONTRACTOR SHALL NOTIFY ALL AGENCIES TO VERIFY THE ACTUAL LOCATIONS OF ALL UTILITIES IN THE PROJECT AREA PRIOR TO EXCAVATING.
- THE CONTRACTOR SHALL RESTORE TO THEIR ORIGINAL CONDITION OR BETTER, ALL IMPROVEMENTS DAMAGED AS A RESULT OF THE CONSTRUCTION, INCLUDING PAVEMENTS, EMBANKMENTS, CURBS, SIGNS, LANDSCAPING, STRUCTURES, UTILITIES, WALLS, FENCES, ETC UNLESS PROVIDED FOR SPECIFICALLY IN THE PROPOSAL.
- CONTRACTOR SHALL EXERCISE EXTREME CAUTION TO PRESERVE STREET MONUMENTS.
- STREET MONUMENTS THAT ARE DISTURBED SHALL BE RESTORED UNDER THE LICENSED LAND SURVEYOR'S DIRECTION. ANY NEW DATA SUCH AS ELEVATIONS SHALL BE CERTIFIED BY THE SURVEYOR, AND SUBMITTED TO THE TOWN OF MIDDLETOWN.
- DEVIATIONS OR CHANGES FROM THESE PLANS WILL NOT BE ALLOWED UNLESS APPROVED BY THE PROJECT ENGINEER, APPROPRIATE AGENCY AND OWNER.
- RELOCATION OF ANY UTILITIES SHALL BE AT THE OWNERS EXPENSE AND BE COMPLETED WITH THE UTILITY WORK. THE OWNER SHALL BE NOTIFIED AS TO THE RELOCATION REQUIRED PRIOR TO THE START OF CONSTRUCTION.
- AN APPROVED SET OF PLANS AND ALL APPLICABLE PERMITS MUST BE AVAILABLE AT THE CONSTRUCTION SITE AT ALL TIMES.
- CONTRACTOR AGREES THAT HE/SHE SHALL ASSUME SOLE AND COMPLETE RESPONSIBILITY FOR JOB SITE CONDITIONS DURING THE COURSE OF THE CONSTRUCTION OF THIS PROJECT, INCLUDING SAFETY OF ALL PERSONS AND PROPERTY. THAT THIS REQUIREMENT SHALL APPLY CONTINUOUSLY AND NOT TO BE LIMITED TO NORMAL WORKING HOURS; AND THAT THE CONTRACTOR SHALL DEFEND, INDEMNIFY AND HOLD THE OWNER AND THE ENGINEERS HARMLESS FROM ANY AND ALL LIABILITY, REAL AND ALLEGED, IN CONNECTION WITH THE PERFORMANCE OF WORK ON THIS PROJECT, EXCEPT FOR LIABILITY ARISING FROM THE SOLE NEGLIGENCE OF THE OWNER OR PROJECT ENGINEER.
- THERE WILL BE NO ADVERSE IMPACT TO THE LOCAL STREET SYSTEM OF AQUIDNECK AVENUE DUE TO THE EXPECTATION THAT NO NEW TRIPS WILL BE GENERATED BEYOND THE EXISTING USE.

UTILITY NOTES

- THE LOCATION OF PROPOSED ELECTRICAL CONDUIT AND CONNECTION TO THE EXISTING ON-SITE CONDUIT IS PRELIMINARY. FINAL DESIGN OF THE ELECTRICAL SERVICE IS SUBJECT TO DESIGN REVIEW AND APPROVAL OF RI ENERGY.
- THE LOCATION OF WATER SERVICE LINE IS PRELIMINARY AND SUBJECT TO REVIEW AND APPROVAL BY NEWPORT WATER.
- ELECTRIC, TELEPHONE AND CABLE SERVICES SHALL BE INSTALLED UNDERGROUND WHERE ALLOWABLE BY THEIR RESPECTIVE PROVIDERS.
- PROPOSED SEWER SERVICE SHALL BE CONSTRUCTED IN ACCORDANCE WITH THE REGULATIONS OF MIDDLETOWN PUBLIC WORKS AND THE RHODE ISLAND DEPARTMENT OF ENVIRONMENTAL MANAGEMENT. FINAL DESIGN OF CONNECTION TO MUNICIPAL SEWER IS SUBJECT TO DESIGN REVIEW AND APPROVAL BY THE MIDDLETOWN DEPARTMENT OF PUBLIC WORKS AND UNITED WATER.
- THE CONTRACTOR SHALL BE SOLELY RESPONSIBLE FOR ALL ASSUMPTIONS, DEDUCTIONS, OR CONCLUSIONS HE/SHE MAY MAKE OR DERIVE FROM THE SUBSURFACE INFORMATION OR DATA FURNISHED ON THE PLANS. THE CONTRACTOR MUST SATISFY HIMSELF/HERSELF THROUGH HIS/HER OWN INVESTIGATIONS AS TO WHAT SUBSURFACE CONDITIONS ARE TO BE ENCOUNTERED.
- IF THE CONTRACTOR ELECTS NOT TO EXPOSE AND VERIFY ALL EXISTING UNDERGROUND UTILITIES AND STRUCTURES AT CROSSINGS PRIOR TO PIPELINE EXCAVATION, HE/SHE FORFEITS HIS/HER RIGHTS FOR ANY CLAIMS FOR COMPENSATION CAUSED BY ANY CONFLICTS WITH EXISTING UTILITIES AND STRUCTURES.
- THE CONTRACTOR SHALL BE RESPONSIBLE FOR THE PROPER DISPOSAL OF ALL EFFLUENT ASSOCIATED WITH THE CONSTRUCTION ACTIVITY AND THE DISINFECTION AND HYDROTESTING OPERATIONS TO SAFEGUARD PUBLIC HEALTH AND SAFETY IN ACCORDANCE WITH APPLICABLE DEPARTMENT OF HEALTH REQUIREMENTS. ALL PERMITS AND LICENSES FOR CONSTRUCTION WATER DISPOSAL, INCLUDING ALL APPLICATIONS, CHARGES, FEES, AND TAXES, ARE THE RESPONSIBILITY OF THE CONTRACTOR.

PARKING TABLE:

	AREA	RATE	REQUIRED
EXISTING BUILDING: GARAGE/STORAGE	1,500	1 PER 1.5 EMPLOYEES +1 PER VEHICLE USED OR MAINTAINED ON SITE	3 SPACES
OFFICE	1,040	3 PER 1,000 GLA	4 SPACES
PROPOSED BUILDING: GARAGE/STORAGE	1,920	1 PER 1.5 EMPLOYEES +1 PER VEHICLE USED OR MAINTAINED ON SITE	2 SPACES
OFFICE	335	3 PER 1,000 GLA	1 SPACE
TOTAL PARKING REQUIRED:			10 SPACES
TOTAL PARKING PROVIDED:			11 SPACES

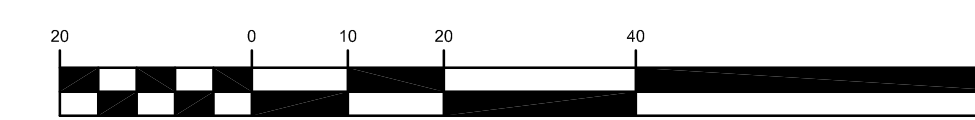
LEGEND:

---	PROPERTY LINE
---	ABUTTERS PROPERTY LINE
---	EDGE OF PAVEMENT
---	BRUSH LINE
W	WATER SERVICE
E	ELECTRICAL SERVICE
D	DRAIN LINE
S	SEWER LINE
DHW	OVERHEAD WIRE
⊙	UTILITY POLE
⊙	SEWER MANHOLE
⊙	MAG NAIL
⊙	PIPE
⊙	WATER VALVE
⊙	PROPOSED ELECTRICAL SERVICE
S	PROPOSED SEWER SERVICE
W	PROPOSED WATER SERVICE
---	BUILDING SETBACK LINE
D	PROPOSED DRAIN LINE

TOWN OF MIDDLETOWN ZONING DATA:

ZONING DISTRICT:	REQUIRED	PROPOSED
LBA (TRAFFIC SENSITIVE LIMITED BUSINESS)		
MINIMUM LOT AREA:	20,000 SQ. FT.	18,697 SQ. FT.
MINIMUM LOT WIDTH:	300 FEET	176.4 FEET
MINIMUM BUILDING SETBACK:		
FRONT YARD	10 FEET	10.4 / 16.0 FEET
SIDE YARD	20 FEET	5.1 / 20.0 FEET
REAR YARD	50 FEET	N/A
MAXIMUM LOT COVERAGE:	25%	18.3%
MAXIMUM BUILDING HEIGHT:	35 FEET	NOT MEASURED

GRAPHIC SCALE

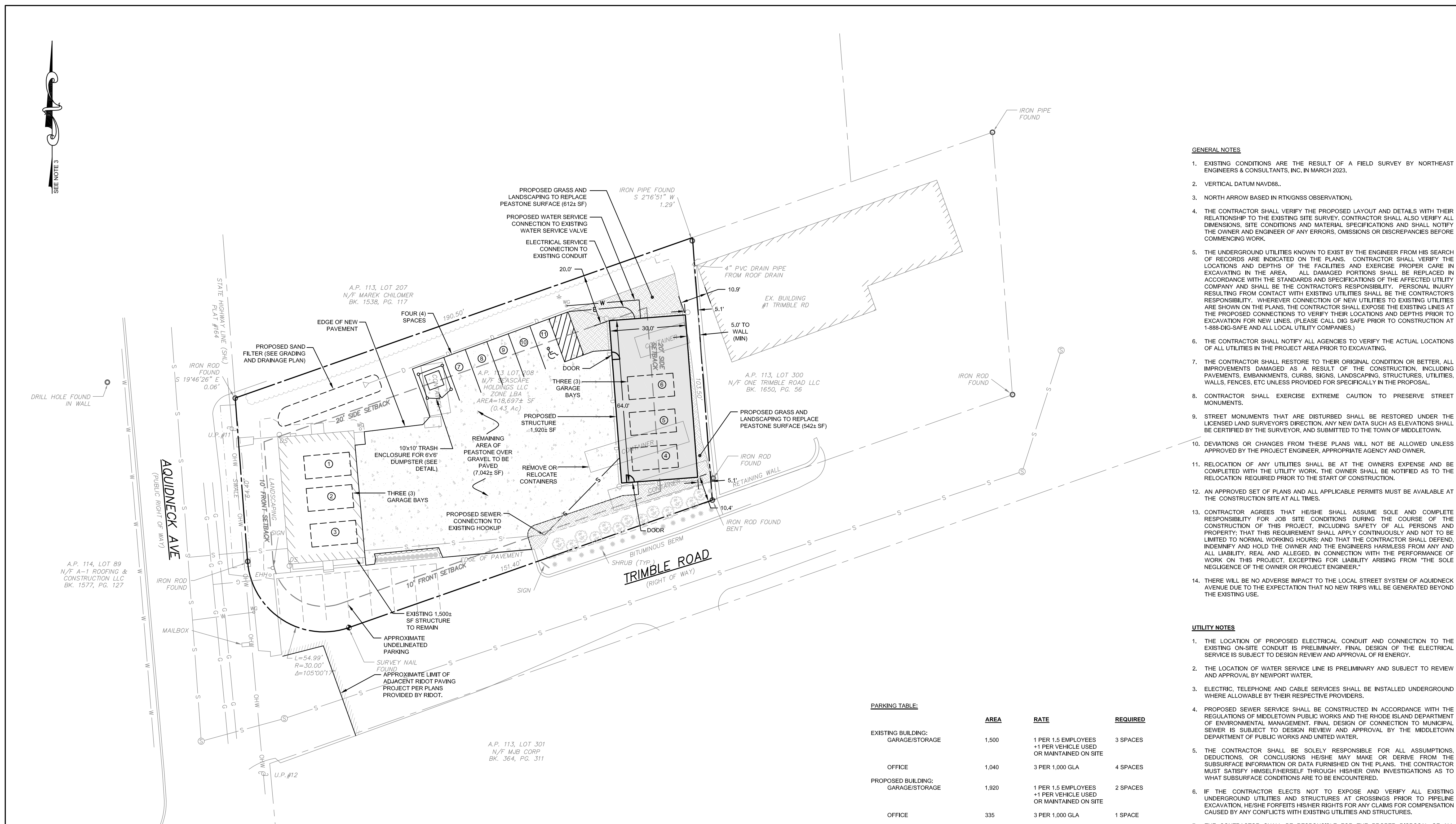


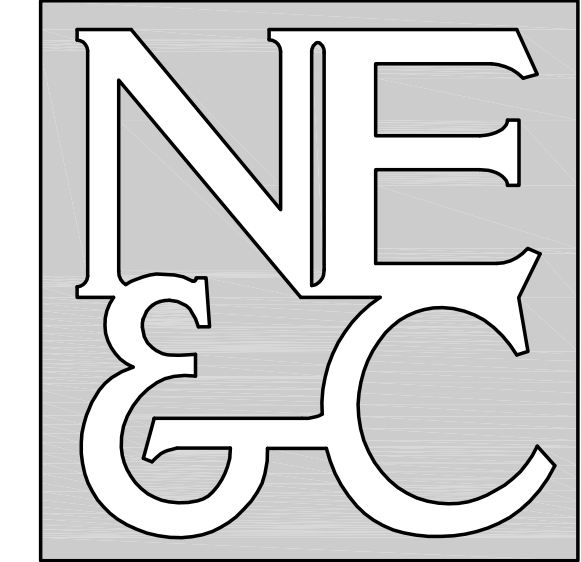
(in feet)
1 inch = 20 feet

RIDOT NOTES

- THERE WILL BE NO ADVERSE IMPACT TO THE LOCAL STREET SYSTEM OF AQUIDNECK AVENUE AS A RESULT OF THIS DEVELOPMENT AS THERE IS EXPECTED TO BE NO INCREASE IN PEAK HOUR TRAFFIC.
- ALL WORK TO BE DONE WITHIN THE STATE HIGHWAY RIGHT OF WAY (ROW) SHALL CONFORM TO THE RHODE ISLAND STANDARD SPECIFICATIONS FOR ROAD AND BRIDGE CONSTRUCTION, 2022 EDITION WITH ALL REVISIONS AND ADDENDA, STANDARD DETAILS FOR THIS WORK ARE R.I. STANDARD DETAILS 1998 EDITION (AMENDED JUNE 2019) WITH ALL REVISIONS.
- ALL TRAFFIC CONTROL SHALL CONFORM TO THE MANUAL ON UNIFORM TRAFFIC CONTROL DEVICES (MUTCD), 2009 EDITION, INCLUDING ALL REVISIONS.
- ANY UTILITY WORK PROPOSED ON THIS PLAN OR IN THE FUTURE WITHIN THE STATE RIGHT OF WAY MUST BE APPLIED FOR UNDER A SEPARATE RIDOT UTILITY PERMIT.
- ALL DISTURBED AREAS WITHIN THE RIDOT R.O.W. SHALL BE LOAMED AND SEEDED. REFER TO VEGETATIVE PRACTICE NOTES ON SHEET C-3.
- THE WORK SHOWN ON THESE PLANS FALLS WITHIN THE LIMIT OF AN ACTIVE RIDOT CONSTRUCTION PROJECT. ALL WORK ASSOCIATED WITH THE RIDOT CONSTRUCTION PROJECT WILL TAKE PRECEDENCE OVER WORK PROPOSED ON THESE PLANS AND THE WORK PROPOSED ON THESE PLANS IS NOT TO CONFLICT WITH THE PROJECTS WORK ZONE.
- THE CONTRACTOR SHALL COORDINATE ALL CONSTRUCTION ACTIVITIES WITH THE PROJECT MANAGER OF THE ADJACENT RIDOT CONSTRUCTION PROJECT. A MINIMUM OF 48 HOURS NOTICE MUST BE PROVIDED AHEAD OF AN CONSTRUCTION ACTIVITIES.

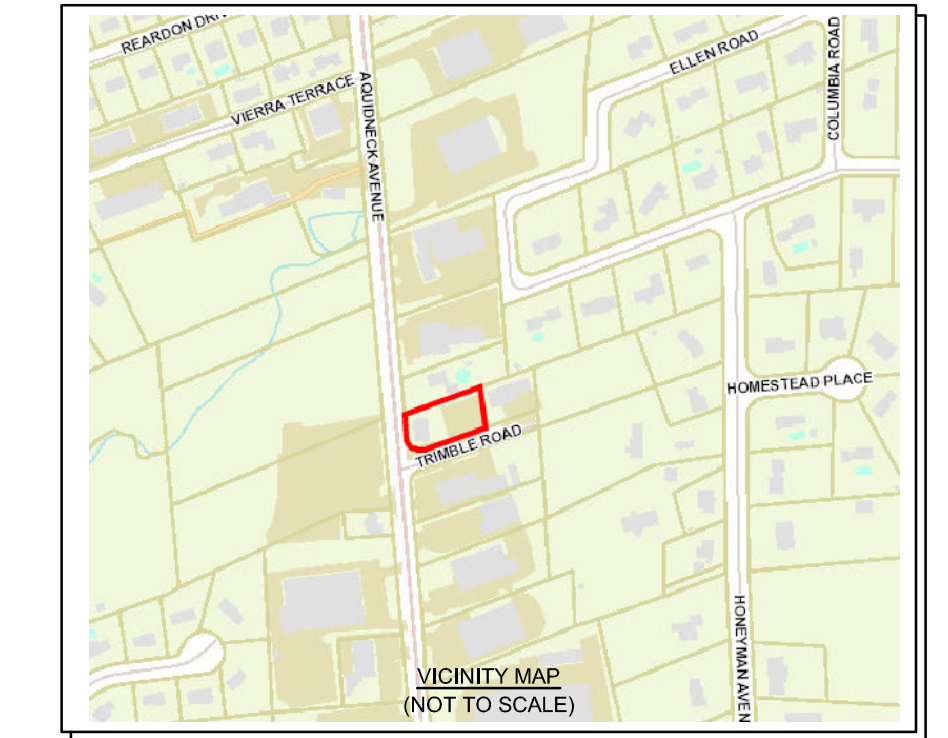
SEE NOTE 3





A KNOWLEDGE CORPORATION®

6 VALLEY ROAD MIDDLETOWN RHODE ISLAND 02842
PHONE (401) 849-0810 FAX (401) 846-4169
WWW.NORTHEASTENGINEERS.COM



GENERAL NOTES

- EXISTING CONDITIONS ARE THE RESULT OF A FIELD SURVEY BY NORTHEAST ENGINEERS & CONSULTANTS, INC. IN MARCH 2023.
- VERTICAL DATUM NAVD88.
- NORTH ARROW BASED IN RTK/GNSS OBSERVATION.
- THE CONTRACTOR SHALL VERIFY THE PROPOSED LAYOUT AND DETAILS WITH THEIR RELATIONSHIP TO THE EXISTING SITE SURVEY. CONTRACTOR SHALL ALSO VERIFY ALL DIMENSIONS, SITE CONDITIONS AND MATERIAL SPECIFICATIONS AND SHALL NOTIFY THE OWNER AND ENGINEER OF ANY ERRORS, OMISSIONS OR DISCREPANCIES BEFORE COMMENCING WORK.
- THE UNDERGROUND UTILITIES KNOWN TO EXIST BY THE ENGINEER FROM HIS SEARCH OF RECORDS ARE INDICATED ON THE PLANS. CONTRACTOR SHALL VERIFY THE LOCATIONS AND DEPTHS OF THE UTILITIES AND EXERCISE PROPER CARE IN EXCAVATING IN THE AREA. ALL DAMAGED PORTIONS SHALL BE REPLACED IN ACCORDANCE WITH THE STANDARDS AND SPECIFICATIONS OF THE AFFECTED UTILITY COMPANY AND SHALL BE THE CONTRACTOR'S RESPONSIBILITY. PERSONAL INJURY RESULTING FROM CONTACT WITH EXISTING UTILITIES SHALL BE THE CONTRACTOR'S RESPONSIBILITY. WHEREVER CONNECTION OF NEW UTILITIES TO EXISTING UTILITIES ARE SHOWN ON THE PLANS, THE CONTRACTOR SHALL EXPOSE THE EXISTING LINES AT THE PROPOSED CONNECTIONS TO VERIFY THEIR LOCATIONS AND DEPTHS PRIOR TO EXCAVATION FOR NEW LINES. (PLEASE CALL DIG SAFE PRIOR TO CONSTRUCTION AT 1-888-DIG-SAFE AND ALL LOCAL UTILITY COMPANIES.)
- THE CONTRACTOR SHALL NOTIFY ALL AGENCIES TO VERIFY THE ACTUAL LOCATIONS OF ALL UTILITIES IN THE PROJECT AREA PRIOR TO EXCAVATING.
- THE CONTRACTOR SHALL RESTORE TO THEIR ORIGINAL CONDITION OR BETTER. ALL IMPROVEMENTS DAMAGED AS A RESULT OF THE CONSTRUCTION, INCLUDING PAVEMENTS, EMBANKMENTS, CURBS, SIGNS, LANDSCAPING, STRUCTURES, UTILITIES, WALLS, FENCES, ETC UNLESS PROVIDED FOR SPECIFICALLY IN THE PROPOSAL.
- CONTRACTOR SHALL EXERCISE EXTREME CAUTION TO PRESERVE STREET MONUMENTS.
- STREET MONUMENTS THAT ARE DISTURBED SHALL BE RESTORED UNDER THE LICENSED LAND SURVEYOR'S DIRECTION. ANY NEW DATA SUCH AS ELEVATIONS SHALL BE CERTIFIED BY THE SURVEYOR, AND SUBMITTED TO THE TOWN OF MIDDLETOWN.
- DEVIATIONS OR CHANGES FROM THESE PLANS WILL NOT BE ALLOWED UNLESS APPROVED BY THE PROJECT ENGINEER, APPROPRIATE AGENCY AND OWNER.
- RELOCATION OF ANY UTILITIES SHALL BE AT THE OWNERS EXPENSE AND BE COMPLETED WITH THE UTILITY WORK. THE OWNER SHALL BE NOTIFIED AS TO THE RELOCATION REQUIRED PRIOR TO THE START OF CONSTRUCTION.
- AN APPROVED SET OF PLANS AND ALL APPLICABLE PERMITS MUST BE AVAILABLE AT THE CONSTRUCTION SITE AT ALL TIMES.
- CONTRACTOR AGREES THAT HE/SHE SHALL ASSUME SOLE AND COMPLETE RESPONSIBILITY FOR JOB SITE CONDITIONS DURING THE COURSE OF THE CONSTRUCTION OF THIS PROJECT, INCLUDING SAFETY OF ALL PERSONS AND PROPERTY; THAT THIS REQUIREMENT SHALL APPLY CONTINUOUSLY AND NOT TO BE LIMITED TO NORMAL WORKING HOURS; AND THAT THE CONTRACTOR SHALL DEFEND, INDEMNIFY AND HOLD THE OWNER AND THE ENGINEERS HARMLESS FROM ANY AND ALL LIABILITY, REAL AND ALLEGED, IN CONNECTION WITH THE PERFORMANCE OF WORK ON THIS PROJECT, EXCEPTING FOR LIABILITY ARISING FROM THE SOLE NEGLIGENCE OF THE OWNER OR PROJECT ENGINEER.
- ANY WORK WITHIN THE STATE'S ROW SHALL CONFORM TO RIDOT STANDARD SPECIFICATIONS FOR ROAD AND BRIDGE CONSTRUCTION LATEST EDITION INCLUDING ALL REVISIONS AND RHODE ISLAND STANDARD DETAILS.
- ALL TRAFFIC CONTROL SHALL CONFORM TO THE MANUAL FOR UNIFORM TRAFFIC CONTROL DEVICES LATEST EDITION INCLUDING ALL REVISIONS.
- THERE WILL BE NO ADVERSE IMPACT TO THE LOCAL STREET SYSTEM OF AQUIDNECK AVENUE DUE TO THE EXPECTATION THAT NO NEW TRIPS WILL BE GENERATED BEYOND THE EXISTING USE.

CONSTRUCTION SEQUENCE:

- DO NOT BEGIN CONSTRUCTION UNTIL ALL LOCAL, STATE, AND FEDERAL PERMITS HAVE BEEN APPLIED FOR AND RECEIVED.
- CONSTRUCTION TRAFFIC SHALL ENTER AND EXIT THE SITE VIA THE EXISTING STABILIZED ENTRANCE. WHEN NECESSARY A STABILIZED CONSTRUCTION ENTRANCE MAY BE CONSTRUCTED AS SHOWN ON THIS PLAN.
- INSTALL SILT FENCES, SILT SACKS, CHECK DAMS AND/OR HAY BALES AS INDICATED ON THE DRAWINGS TO CONTROL EROSION AND PREVENT SEDIMENT CONTAMINATION OF DOWNSTREAM AREAS PRIOR TO ANY EARTH MOVING ACTIVITIES.
- REMOVE VEGETATION ONLY WHERE NECESSARY. ALL STUMPS TO BE GROUND OR DISPOSED OF OFF SITE.
- REMOVE OR RELOCATED CONTAINERS, ROUGH GRADE BUILDING PAD.
- CONSTRUCT SAND FILTER IN ACCORDANCE WITH THE PLANS AND DETAILS AND ESTABLISH A VEGETATIVE GROWTH THAT MEETS THE APPROVAL OF THE TOWN ENGINEER.
- CONSTRUCT BUILDING AND UTILITIES.
- FINAL GRADING AND BINDER PAVEMENT COURSE.
- CONSTRUCT LANDSCAPED AREAS.
- TOP PAVEMENT COURSE AND MAINTAIN SITE IN ACCORDANCE WITH THE MAINTENANCE NOTES.

SITE MAINTENANCE

DURING THE PERIOD OF CONSTRUCTION AND/OR UNTIL LONG TERM VEGETATION IS ESTABLISHED, THE EROSION CONTROL MEASURES SHALL BE INSPECTED AS FOLLOWS:

- AT A MINIMUM THE SILT FENCING, HAY BALES AND FILTER SOCK BARRIERS SHALL BE INSPECTED AND REPAIRED ONCE A WEEK AND / OR IMMEDIATELY FOLLOWING A SIGNIFICANT RAINFALL OR SNOWMELT. SEDIMENT TRAPPED BEHIND THE BARRIERS SHALL BE EXCAVATED WHEN IT REACHES A DEPTH OF 6" AND REGRADED ON THE SITE.
- IN ANY ARE INSTALLED, SILT SACKS SHALL BE INSPECTED AND REPAIRED ONCE A WEEK AND / OR IMMEDIATELY FOLLOWING A SIGNIFICANT RAINFALL OR SNOWMELT. DURING HEAVY RAIN EVENT, IT MAY BE NECESSARY TO TEMPORARILY REMOVE SACKS IN ORDER TO PREVENT FLOODING. SEDIMENT TRAPPED WITHIN SACKS SHALL BE DISPOSED OF OFF SITE AT A LICENSED FACILITY OR REGRADED ON THE SITE.
- IF INSTALLED, THE CONSTRUCTION ENTRANCE SHALL BE INSPECTED MONTHLY FOR EXCESSIVE ACCUMULATION OF SEDIMENT. IT MAY BE NECESSARY TO REMOVE STONES, EXCAVATE SEDIMENT, AND REPLACE STONES.

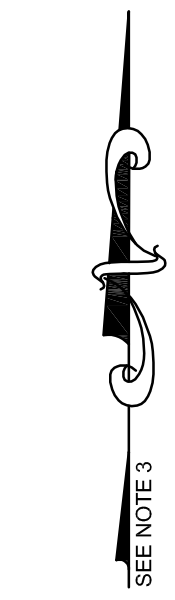
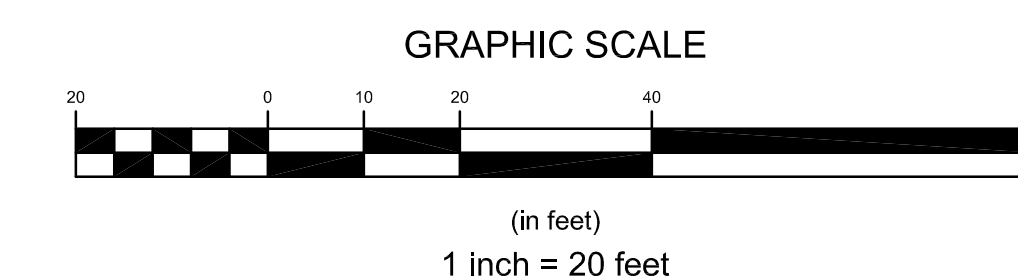
VEGETATIVE PRACTICE

PERMANENT MEASURES:

- SLOPES SHALL NOT BE STEEPER THAN 1 VERTICAL TO 3 HORIZONTAL UNLESS OTHERWISE SPECIFIED.
- LOAM AND SEED REQUIREMENTS ARE SPECIFIED IN RIDOT L.01 & L.02.
- A MINIMUM OF 4 INCHES OF LOAM SHALL BE INSTALLED. THE LOAM SHALL BE GRADED TO A SMOOTH CONDITION AND STONES AND OTHER OBJECTS LARGER THAN 2 INCHES SHALL BE REMOVED.

TEMPORARY MEASURES (FOR TEMPORARY PROTECTION OF DISTURBED AREAS):

- LIMESTONE AND FERTILIZER SHALL BE APPLIED AT THE FOLLOWING RATE:
- LIMESTONE: 2 TONS/ACRE
- FERTILIZER: (10-10-10); 800 LBS/ACRE
- SEED SHALL BE APPLIED AT THE FOLLOWING RATE:
- WINTER RYE: 100 LBS/ACRE
- HAY MULCH SHALL BE APPLIED AT THE RATE OF 1.5 TONS/ACRE.



A.P. 114, LOT 89
N/F A-1 ROOFING & CONSTRUCTION LLC
BK. 1577, PG. 127

LEGEND:

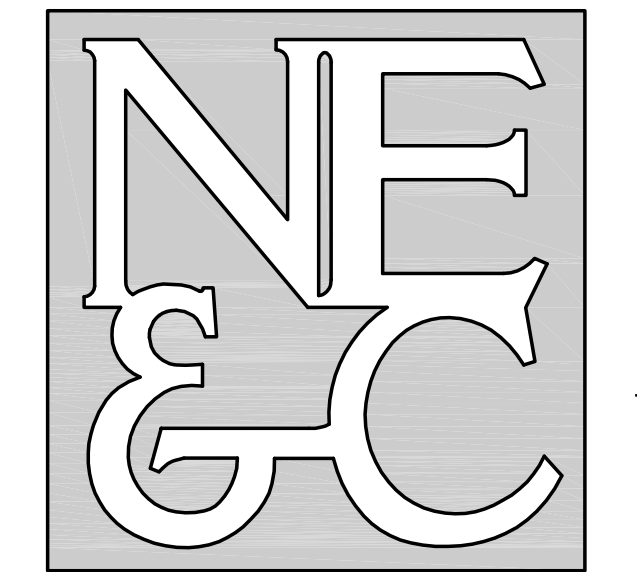
---	PROPERTY LINE
- - -	ABUTTERS PROPERTY LINE
---	EDGE OF PAVEMENT
---	BRUSH LINE
W	WATER SERVICE
E	ELECTRICAL SERVICE
D	DRAIN LINE
S	SEWER LINE
OHW	OVERHEAD WIRE
U	UTILITY POLE
⊙	SEWER MANHOLE
⊙	MAG NAIL
⊙	PIPE
⊙	WATER VALVE
⊙	SOIL EVALUATION
⊙	PROPOSED ELECTRICAL SERVICE
⊙	PROPOSED SEWER SERVICE
⊙	PROPOSED WATER SERVICE
⊙	PROPOSED DRAIN LINE
⊙	PROPOSED CONTOUR
+135.0	PROPOSED SPOT ELEVATION
S.F.	PROPOSED EROSION CONTROL BARRIER
---	PROPOSED LIMIT OF DISTURBANCE

STORMWATER MAINTENANCE NOTES

- SAND FILTER MAINTENANCE:
 - GRASSES AND/OR SPECIFIED VEGETATION SHALL BE PLANTED AROUND AND WITHIN THE SAND FILTER IMMEDIATELY FOLLOWING CONSTRUCTION TO STABILIZE SLOPES AND PREVENT EROSION.
 - THE FILTER SHOULD BE INSPECTED FOLLOWING AT LEAST THE FIRST TWO PRECIPITATION EVENTS OF AT LEAST 1.0 INCH TO ENSURE THAT THE SYSTEM IS FUNCTIONING PROPERLY. THEREAFTER, THE FILTER SHOULD BE INSPECTED AT LEAST ANNUALLY AND AFTER STORM EVENTS OF GREATER THAN OR EQUAL THE 1-YEAR, 24-HOUR TYPE III PRECIPITATION EVENT (2.8 INCHES). SEDIMENTS COLLECTED WITHIN THE TOP STRATA OF THE FILTER SHALL BE GRASSES AND/OR SPECIFIED VEGETATION SHALL BE PLANTED AROUND AND WITHIN THE SAND FILTER IMMEDIATELY FOLLOWING CONSTRUCTION TO STABILIZE SLOPES AND PREVENT EROSION.
 - THE FOLLOWING SHALL ALSO BE COMPLETED ON AN ANNUAL BASIS:
 - THE SLOPES OF THE FILTER SHOULD BE INSPECTED FOR EROSION AND GULLYING. REINFORCE ANY EXISTING RIPRAP IF IT IS FOUND TO BE DEFICIENT, EROSION IS PRESENT AT THE OUTLET STRUCTURES, OR ANY EXISTING RIPRAP HAS BEEN COMPROMISED.
 - ANY AREAS WITHIN THE EXTENTS OF THE FILTER THAT ARE SUBJECT TO EROSION OR GULLYING SHOULD BE REPLENISHED WITH THE ORIGINAL DESIGN MATERIAL AND RE-VEGETATED ACCORDING TO DESIGN DRAWINGS. SLOPE PROTECTION MATERIAL SHOULD BE PLACED IN AREAS PRONE TO EROSION. EMBANKMENT STABILITY SHOULD BE INSPECTED FOR SEEPAGE AND BURROWING ANIMALS.
 - MOW THE GRASS AROUND THE PERIMETER OF AND WITHIN THE FILTER, SEED BARE AREAS, AND REMOVE LITTER AND DEBRIS AT LEAST THREE TIMES PER GROWING SEASON TO MAINTAIN MAXIMUM GRASS HEIGHTS LESS THAN TWELVE INCHES. REMOVE ANY INVASIVE VEGETATION WITHIN THE EXTENTS OF THE FILTER. ANY INVASIVE VEGETATION ENCROACHING UPON THE PERIMETER OF THE FILTER SHOULD BE PRUNED OR REMOVED IF IT IS PROHIBITING ACCESS TO THE FILTERS, COMPROMISING SIGHT VISIBILITY, AND/OR COMPROMISING THE ORIGINAL DESIGN INTENT. IF DEAD OR DYING GRASS ON THE BOTTOM IS OBSERVED, CHECK TO ENSURE THAT WATER INFILTRATES WITHIN TWO DAYS FOLLOWING STORMS.
 - SILT/SEDIMENT SHOULD BE REMOVED FROM THE FILTER BED ANNUALLY, WHEN ACCUMULATION EXCEEDS 1 INCH, OR WHEN THE FILTERING CAPACITY DIMINISHES SUBSTANTIALLY. IF STANDING WATER IS OBSERVED MORE THAN 48 HOURS AFTER A STORM EVENT, THEN THE TOP 6 INCHES OF SAND SHOULD BE REMOVED AND REPLACED. IF DISCOLORED OR CONTAMINATED MATERIAL IS FOUND BELOW THIS REMOVED SURFACE THEN THAT MATERIAL SHOULD ALSO BE REMOVED AND REPLACED UNTIL ALL CONTAMINATED SAND HAS BEEN REMOVED FROM THE FILTER MEDIA. THE SAND SHOULD BE DISPOSED OF IN ACCORDANCE WITH ALL APPLICABLE REGULATIONS.
- CONVEYANCE STRUCTURE MAINTENANCE:
 - ALL INLET / OUTFLOW PIPES ARE TO BE INSPECTED AT LEAST THREE TIMES IN THE FIRST SIX MONTHS OF OPERATION. EVIDENCE OF CLOGGING, OR RAPID RELEASE OF FLOW SHALL BE REPORTED TO THE PROJECT ENGINEER AND REMEDIATED IMMEDIATELY.
 - CONVEYANCE PIPES SHOULD BE INSPECTED BIANNUALLY. ANY STRUCTURAL FAULTS SHOULD BE REPAIRED AS NECESSARY FOR PROPER FUNCTION OF THE STRUCTURE.
 - ROOF RUNOFF STRUCTURES SUCH AS GUTTERS AND DOWNSPOUTS SHOULD BE CLEAN AND FREE OF OBSTRUCTIONS THAT REDUCE FLOW. A REGISTERED PROFESSIONAL ENGINEER SHOULD BE CONSULTED IF NECESSARY TO DETERMINE WHETHER A STRUCTURE HAS BEEN COMPROMISED.
- MAINTENANCE OF THE STORMWATER SYSTEM DURING CONSTRUCTION OF THE PROJECT SHALL BE THE RESPONSIBILITY OF THE CONTRACTOR.
- UPON COMPLETION OF THE CONSTRUCTION, MAINTENANCE OF THE STORMWATER SYSTEM SHALL BECOME THE RESPONSIBILITY OF THE OWNER.

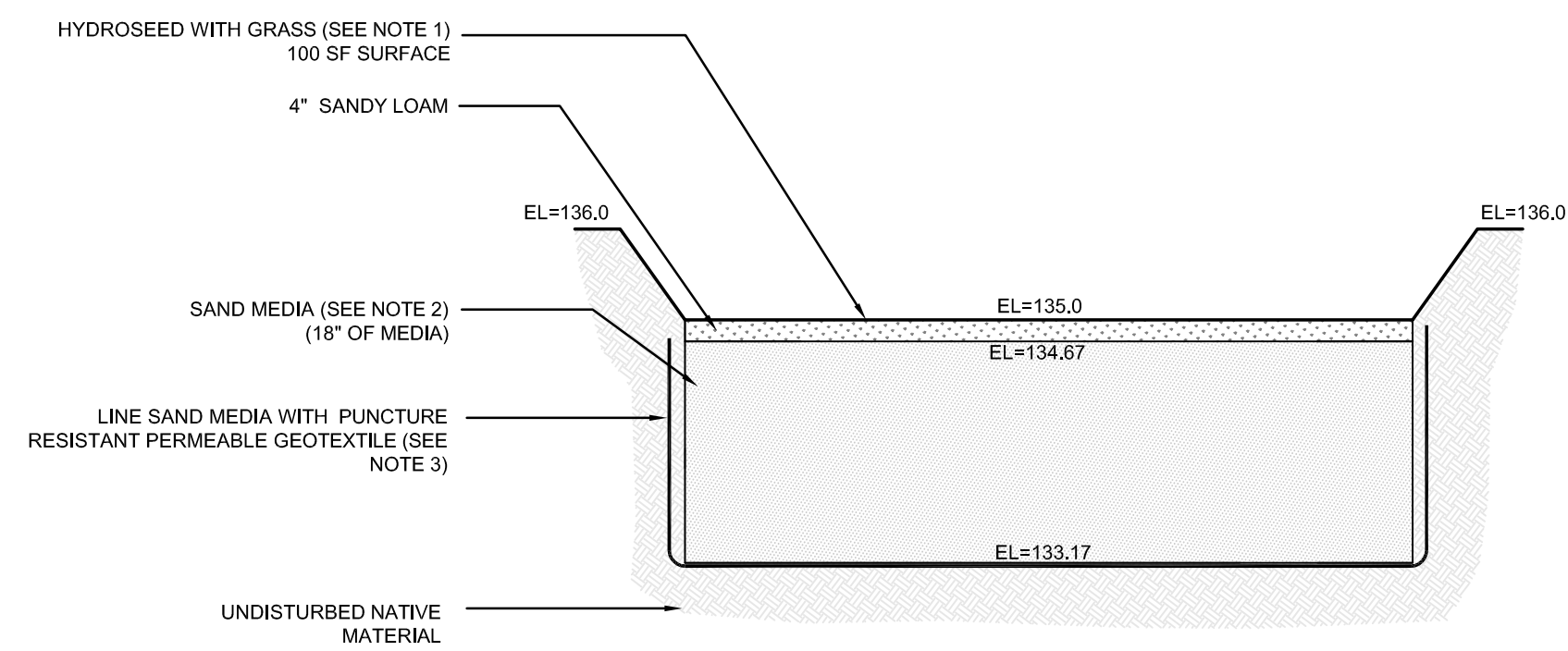
EARTHWORK NOTES

- DURING CONSTRUCTION AND THEREAFTER, EROSION CONTROL MEASURES ARE TO BE IMPLEMENTED AS NOTED, ONLY THE SMALLEST PRACTICAL AREA OF LAND SHOULD BE EXPOSED AT ANY ONE TIME DURING DEVELOPMENT. WHEN LAND IS EXPOSED DURING DEVELOPMENT, THE EXPOSURE SHOULD BE KEPT TO THE SHORTEST PRACTICAL PERIOD OF TIME.
- ADEQUATE PROVISIONS SHALL BE MADE TO PREVENT SURFACE WATERS FROM DAMAGING THE CUT FACE OF AN EXCAVATION OR THE SLOPED SURFACES OF A FILL. FURTHERMORE, ADEQUATE PROVISIONS SHALL BE MADE TO PREVENT SEDIMENT RUNOFF FROM LEAVING THE SITE.
- NO DRAINAGE AREAS SHALL BE USED FOR STOCKPILES OR STORAGE OF MATERIALS OR EQUIPMENT. THESE AREAS SHOULD BE DELINEATED IN THE FIELD PRIOR TO CONSTRUCTION.
- ANY DISTURBED AREAS WHICH ARE TO BE LEFT TEMPORARILY AND WHICH WILL BE REGRADED LATER DURING CONSTRUCTION SHALL BE STABILIZED WITHIN FOURTEEN DAYS IN ACCORDANCE WITH TEMPORARY MEASURES IN THE VEGETATIVE PRACTICE NOTES.
- AREAS TO BE FILLED SHALL BE CLEARED, GRUBBED, AND STRIPPED OF TOP SOIL TO REMOVE VEGETATION, ROOTS, AND ANY OTHER OBJECTIONABLE MATERIAL.
- ALL FILL SHALL BE COMPACTED TO 95% MAX. DENSITY TO REDUCE EROSION, SLIPPAGE, SETTLEMENT SUBSIDENCE, OR OTHER RELATED PROBLEMS.
- FILL INTENDED TO SUPPORT BUILDING STRUCTURES AND CONDUITS, ETC., SHALL BE COMPACTED IN ACCORDANCE WITH LOCAL CODES AND SPECIFICATIONS.
- ALL FILL SHALL BE PLACED IN LAYERS NOT TO EXCEED 12" IN THICKNESS.
- FILL MATERIAL SHALL BE FREE OF BRUSH, RUBBISH, ROCKS, LOGS, STUMPS, BUILDING DEBRIS, AND OTHER OBJECTIONABLE MATERIALS THAT WOULD INTERFERE WITH OR PREVENT CONSTRUCTION OF SATISFACTORY FILLS.
- FROZEN, SOFT, MUCKY, OR HIGHLY COMPRESSIBLE MATERIAL SHALL NOT BE INCORPORATED INTO FILLS.
- FILL SHALL NOT BE PLACED ON A FROZEN FOUNDATION SUBGRADE.
- SEEPS OR SPRINGS ENCOUNTERED DURING CONSTRUCTION SHALL BE BROUGHT TO THE ATTENTION OF THE DESIGN ENGINEER.
- ALL DISTURBED AREAS SHALL BE STABILIZED WITHIN 14 DAYS OF FINISH GRADING IN ACCORDANCE WITH THE VEGETATIVE PRACTICE NOTES.
- REMOVE TEMPORARY EROSION CONTROL MEASURES ONCE UPSLOPE AREAS HAVE BEEN PERMANENTLY STABILIZED AND VEGETATED AREAS HAVE RECEIVED TWO MOWINGS.
- ALL GRADING OPERATIONS SHALL BE PERFORMED IN CONFORMANCE WITH THE APPLICABLE PROVISIONS OF THE RHODE ISLAND DEPARTMENT OF ENVIRONMENTAL MANAGEMENT AND TOWN OF MIDDLETOWN.
- IF THE GRADING WORK INVOLVES CONTAMINATED SOIL, THEN ALL GRADING WORK SHALL BE DONE IN CONFORMANCE WITH APPLICABLE STATE AND FEDERAL REQUIREMENTS.
- NONCOMPLIANCE TO ANY OF THE ABOVE REQUIREMENTS SHALL MEAN IMMEDIATE SUSPENSION OF ALL WORK, AND REMEDIAL WORK SHALL COMMENCE IMMEDIATELY. ALL COSTS INCURRED SHALL BE BILLED TO THE VIOLATOR, FURTHERMORE, VIOLATORS SHALL BE SUBJECT TO ADMINISTRATIVE, CIVIL AND/OR CRIMINAL PENALTIES.



A KNOWLEDGE CORPORATION[®]

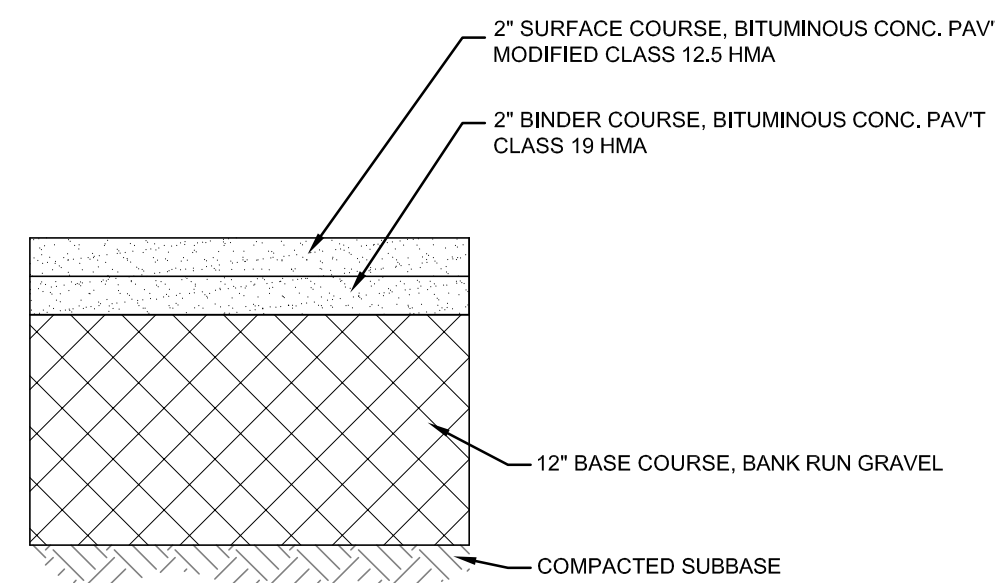
6 VALLEY ROAD MIDDLETOWN RHODE ISLAND 02842
PHONE (401) 849-0810 FAX (401) 846-4169
WWW.NORTHEASTENGINEERS.COM



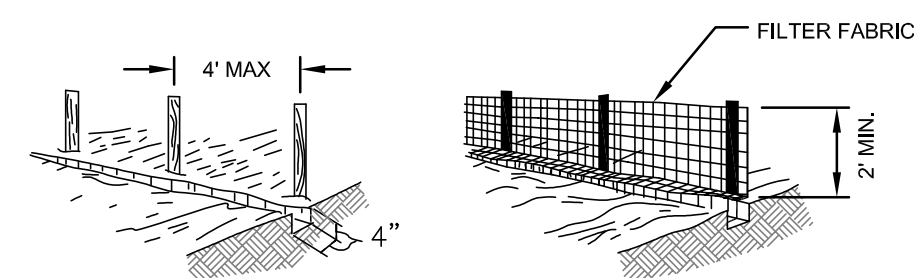
SAND FILTER NOTES:

- SAND FILTER SHALL BE PLANTED WITH NEW ENGLAND WETMX (WETLAND SEED MIX) BY NEW ENGLAND WETLAND PLANTS, INC. OR APPROVED EQUAL.
- SAND FILTER SAND TO BE CLEAN AASHTO M-6 OR ASTM C-33 CONCRETE SAND (0.075 TO 0.045), SAND SUBSTITUTIONS SUCH AS DIABASE AND GRAYSTONE #10 ARE NOT ACCEPTABLE, NO CALCIUM CARBONATED OR DOLOMITIC SAND SUBSTITUTIONS ARE ACCEPTABLE, NO ROCK DUST CAN BE USED AS SAND.
- PERMEABLE GEOTEXTILE FABRIC SHALL HAVE A PUNCTURE STRENGTH OF 125 LBS, A BURST STRENGTH OF 400 PSI (ASTM D 1117) AND A TENSILE STRENGTH OF 300 LBS (ASTM D 1682), FABRIC SHALL BE MIN 0.08" THICK WITH AN EQUIVALENT OPENING SIZE OF #80 SIEVE AND A MINIMUM FLOW RATE OF 125 GPM PER SQUARE FOOT.

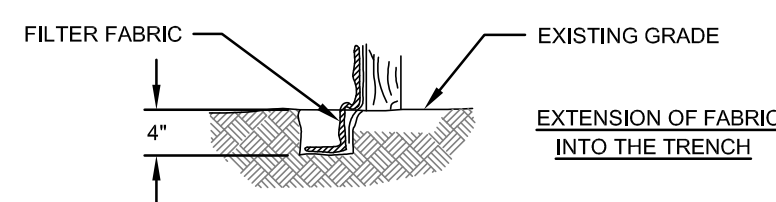
SAND FILTER SF-1 SECTION
SCALE: NOT TO SCALE



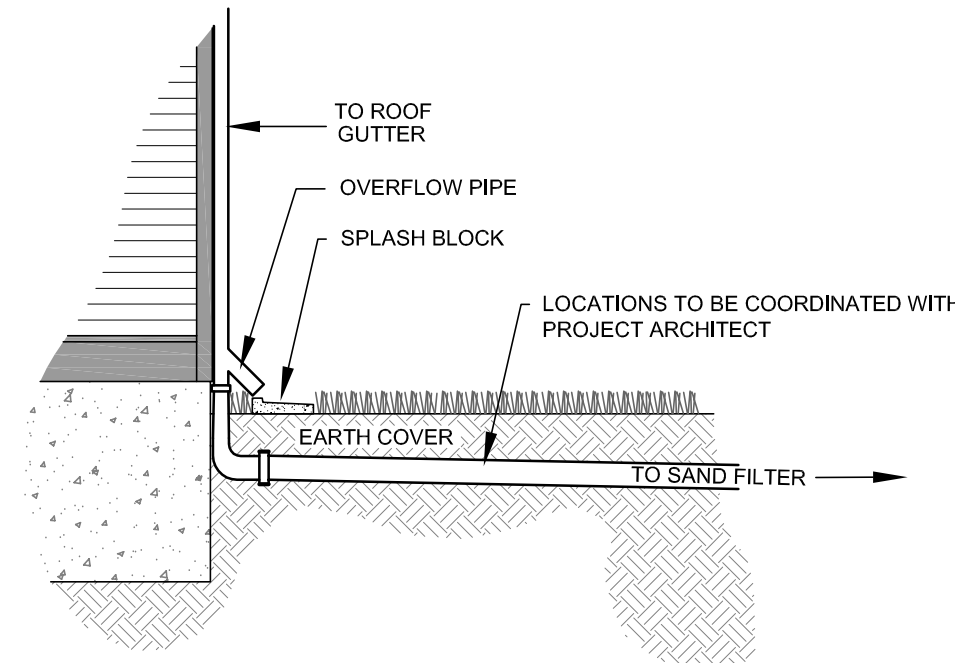
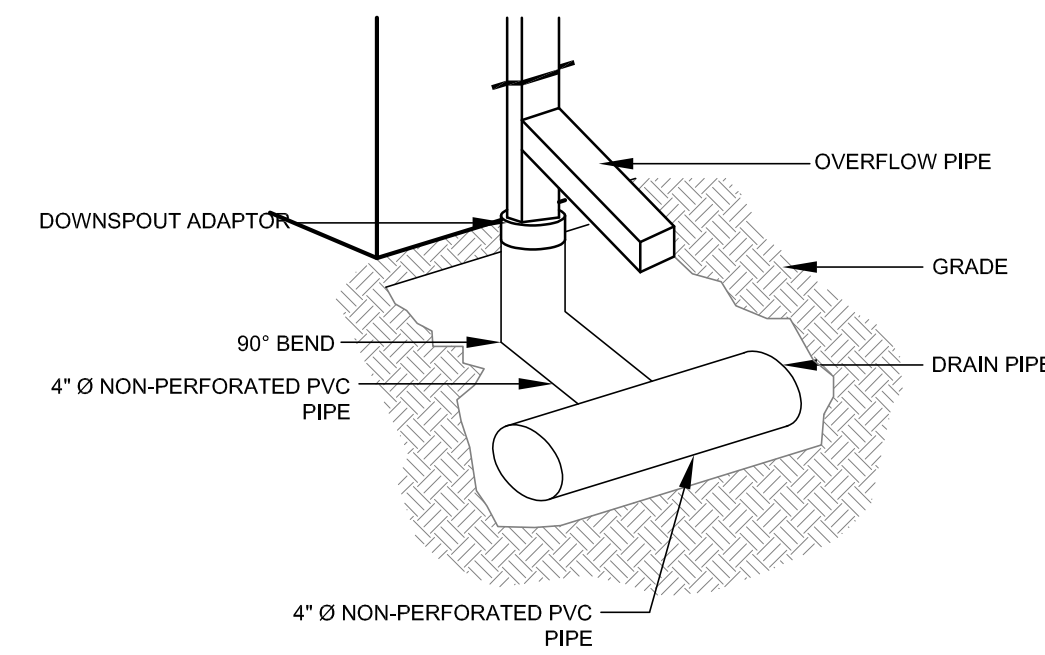
TYPICAL BITUMINOUS PAVEMENT SECTION
SCALE: NOT TO SCALE



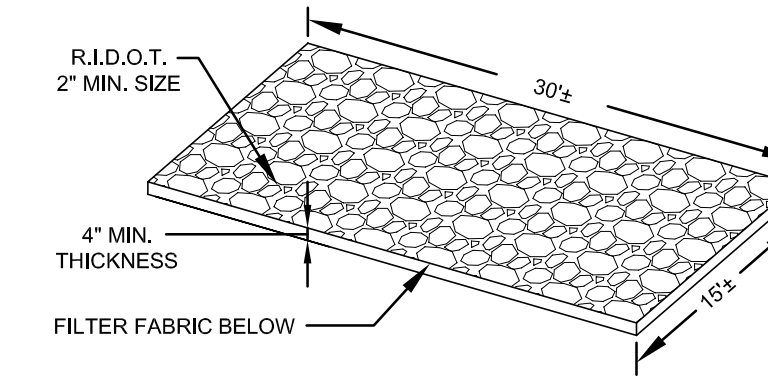
- SET POSTS AND EXCAVATE A 4" X 4" TRENCH UPSLOPE ALONG THE LINE OF POSTS.
- STAPLE FILTER FABRIC TO THE POSTS AND EXTEND INTO TRENCH.
- BACK FILL AND COMPACT THE EXCAVATED SOIL INTO THE TRENCH.



SILT FENCE
SCALE: NOT TO SCALE

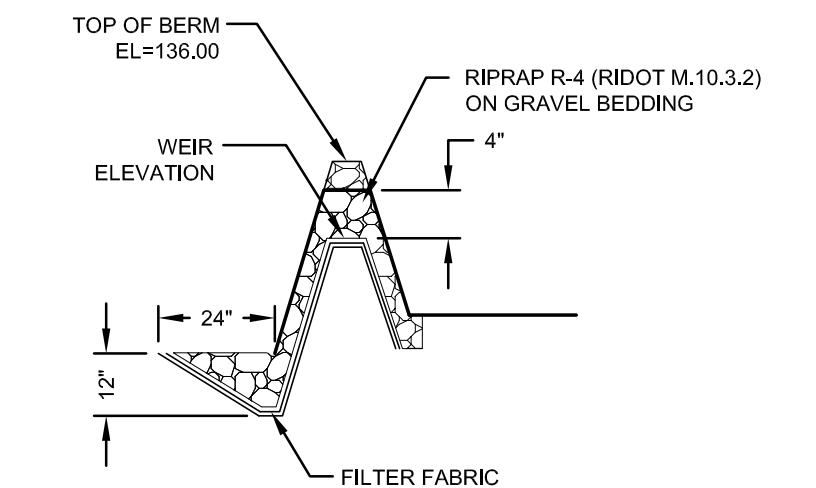
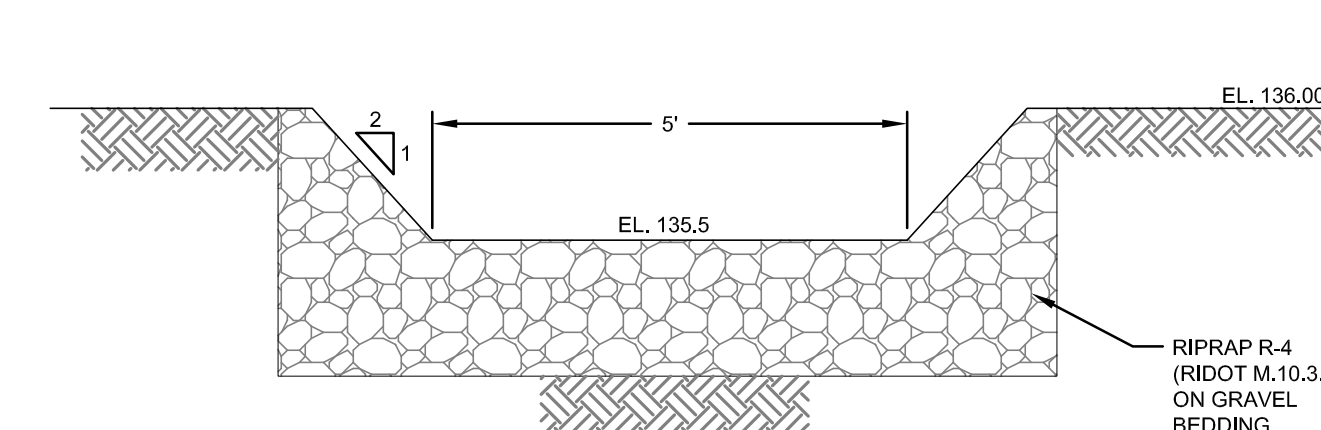


ROOF DOWNSPOUT DETAIL
SCALE: NOT TO SCALE

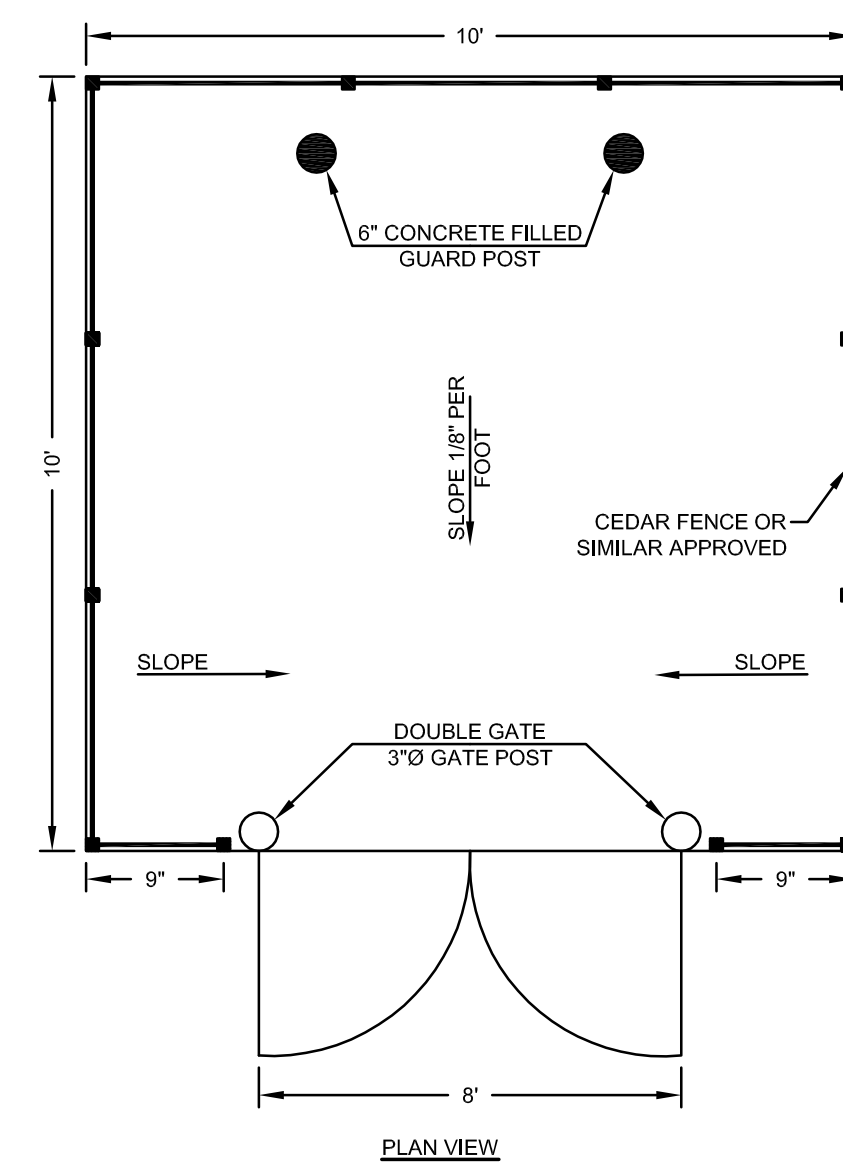


NOTE: CONSTRUCTION ENTRANCE SHALL BE INSTALLED PER DETAIL PROVIDED IF THE EXISTING PAVED ENTRANCE IS REMOVED OR UNAVAILABLE AND BEFORE THE PROPOSED PAVEMENT IS INSTALLED.

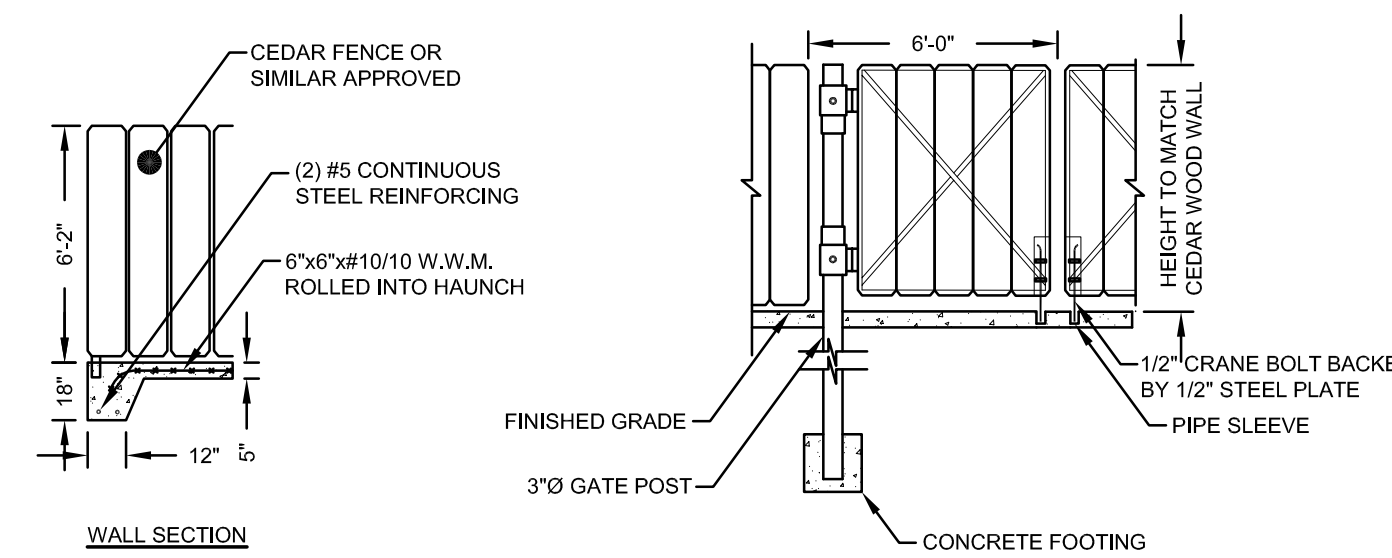
CONSTRUCTION ENTRANCE
SCALE: NOT TO SCALE



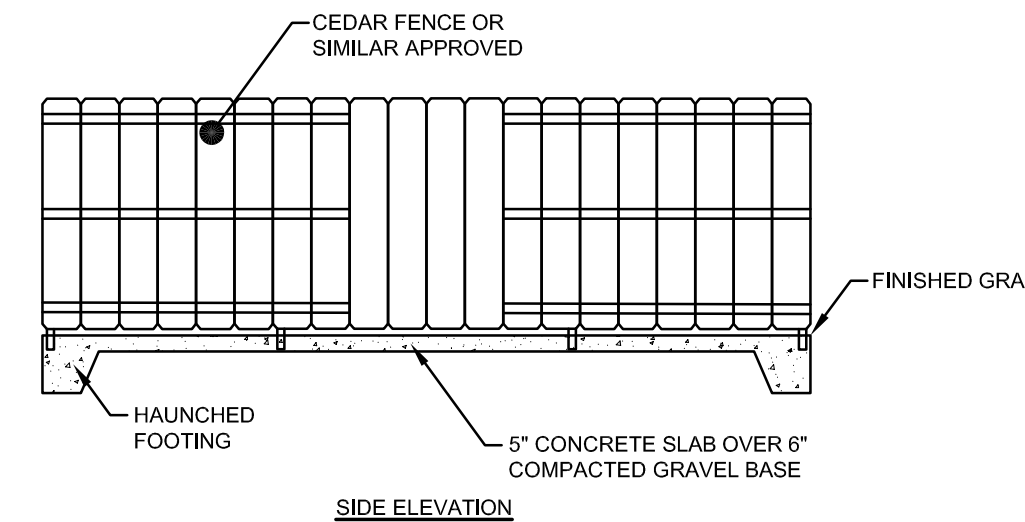
STONE WEIR DETAIL
SCALE: NOT TO SCALE



TYPICAL TRASH ENCLOSURE
ARCHITECT MAY PROVIDE ALTERNATE DESIGN
SCALE: NOT TO SCALE



GATE DETAIL



SIDE ELEVATION

1	TRASH ENCLOSURE	12/18/23	
No.	Revision	Date	App.
Designed By:	JJR	Drawn by:	JJR
Checked by:	GES		
Scale:	AS SHOWN	Date:	11JUL23

Project Title:
A.P. 113 LOT 208
985 AQUIDNECK AVENUE
MIDDLETOWN, RHODE ISLAND

Client/Owner:
SEASCAPE HOLDINGS LLC
1 TRIMBLE ROAD
MIDDLETOWN, RI 02842

Issued for:
PERMITTING

Drawing Title:
SITE DETAILS

	Drawing Number:	C-4
	Sheet	4 of 4
	Project Number:	22099.0
	Survey Index:	-

OWNERSHIP AND USE OF DOCUMENTS: DRAWINGS AND SPECIFICATIONS, AS INSTRUMENTS OF PROFESSIONAL SERVICE, ARE AND SHALL REMAIN THE PROPERTY OF THE ENGINEER. THESE DOCUMENTS ARE NOT TO BE USED, IN WHOLE OR PART, FOR ANY OTHER PROJECTS OR PURPOSES, OR BY ANY OTHER PARTIES, THAN THOSE PROPERLY AUTHORIZED BY CONTRACT, WITHOUT THE EXPRESS AUTHORIZATION OF THE ENGINEER.